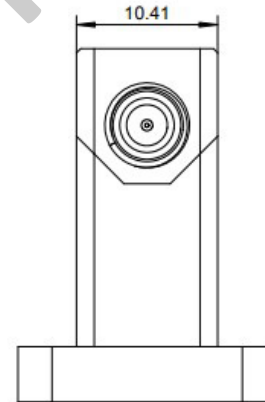
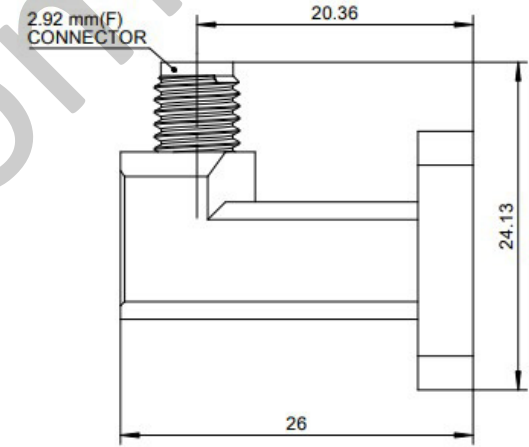
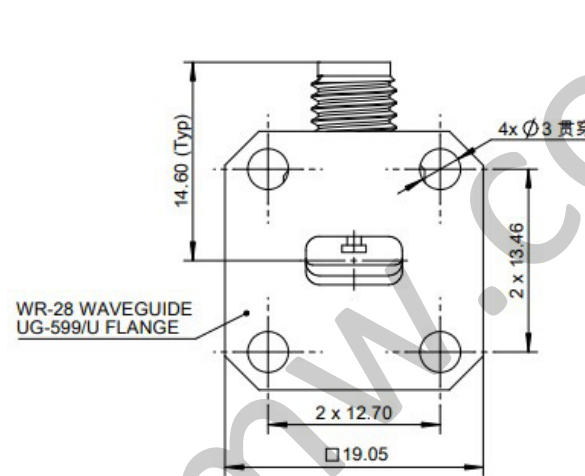
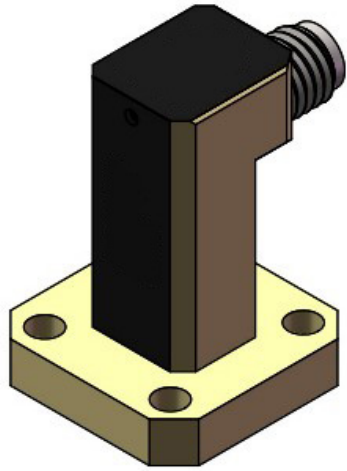


NOTES: UNLESS OTHERWISE SPECIFIED
THIS IS A CAD GENERATED DRAWING, DO NOT REVISE MANUALLY

REVISION HISTORY					
ZONE	REV	DESCRIPTION	E.C.O.NO	DATE	APPROVED
	1	ENGINEERING RELEASE			



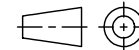
LBT-2003

26.5 - 40GHz 波同转换器 Waveguide to Coax Adapter

—技术参数 Specifications—

工作频率 Frequency Range:	26.5-40GHz
驻波 VSWR:	1.2(Typ.)
插入损耗 Insertion Loss:	0.35dB(Typ.)
功率 Power:	20W(CW)
波导端口 Waveguide Port:	WR-28, UG599/U 法兰盘
同轴端口 Coaxial Port:	2.92mm(F)
工作温度 Operation Temperature:	-40 °C ~ +85 °C
重量 Weight:	10.8g

UNLESS OTHERWISE SPECIFIED
DIMENSIONS ARE MILLIMETER
TOLERANCES ARE:
DECIMALS ANGLES FRACTIONS
.XX±0.1 ±1' ±2/5
.XXX±0.03
.XXX±0.012



Approvals

DATE

DRWN

ENG

CHK

Q.A.



www.lairmw.com sales@lairmw.com

P/N: LBT-2003

波同转换器 Waveguide to Coax Adapter

SIZE
A3

CAGE NO

DWG NO.

REV
1

SCALE
3:2

UNIT
mm

SHEET 1 OF 1