

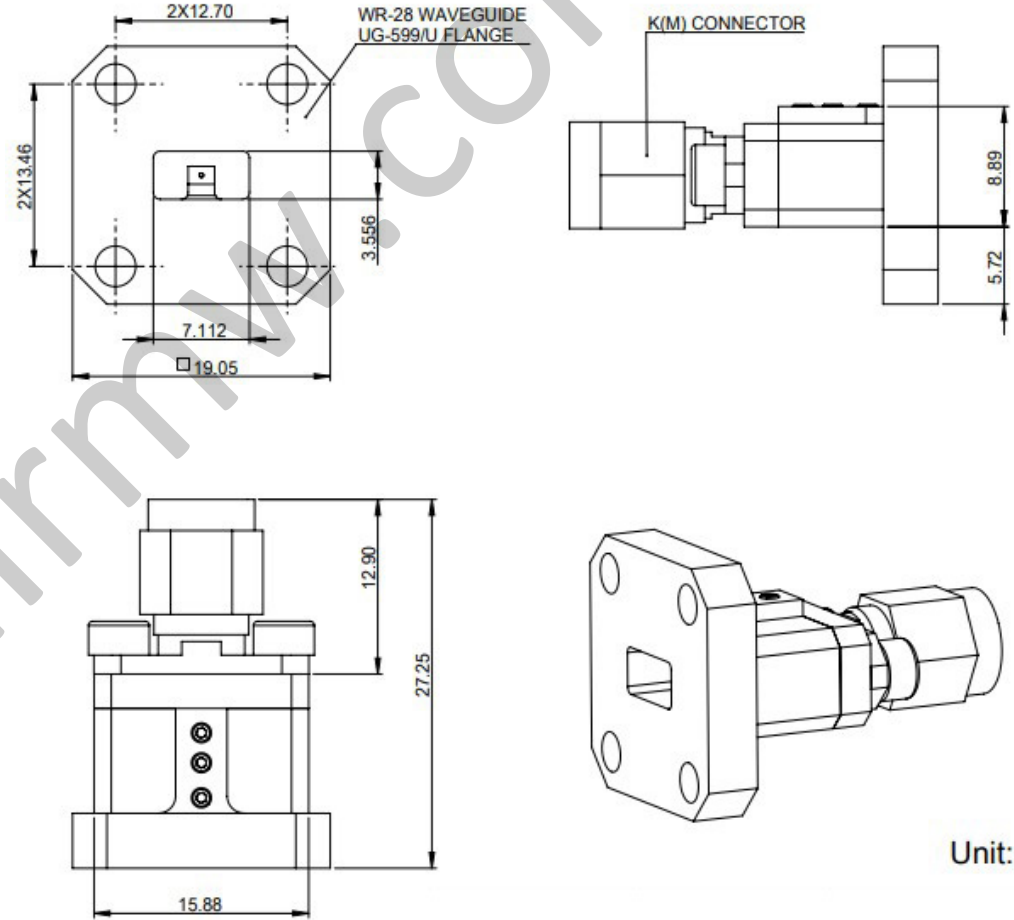
NOTES:UNLESS OTHERWISE SPECIFIED
THIS IS A CAD GENERATED DRAWING,DO NOT REVISE MANUALLY

REVISION HISTORY					
ZONE	REV	DESCRIPTION	E.C.O.NO	DATE	APPROVED
	1	ENGINEERING RELEASE			

LBT-2002

26.5 - 40GHz 波同转换器Waveguide to Coax Adapter —技术参数 Specifications—

工作频率Frequency Range:	26.5-40GHz
驻波VSWR:	1.3(Typ.)
插入损耗Insertion Loss:	0.35dB(Typ.)
功率Power:	20W(CW)
波导端口Waveguide Port:	WR-28,UG599/U法兰盘
同轴端口Coaxial Port:	2.92mm(M)
工作温度Operation Temperature:	-40℃~+85℃
重量Weight:	9.5g



Unit: mm

UNLESS OTHERWISE SPECIFIED DIMENSIONS ARE MILLIMETER TOLERANCES ARE: DECIMALS ANGLES FRACTIONS .XX±0.03 ±1' ±2/5 .XXX±0.012					P/N: LBT-2002	
	Approvals DATE DRWN ENG CHK Q.A.		www.lairmw.com sales@lairmw.com		波同转换器Waveguide to Coax Adapter	
HOLE DIAMETER .35 TO 3.20 3.21 TO 6.35 6.36 TO 12.70 12.71 TO 19.05 19.06 TO 25.40 25.41 TO 50.80	TOLERANCES +.05/-02 +.10/-03 +.15/-03 +.20/-03 +.25/-03 +.30/-03	SIZE	CAGE NO	DWG NO.	REV	1
		SCALE	UNIT	SHEET 1 OF 1		
		3:2	mm			