

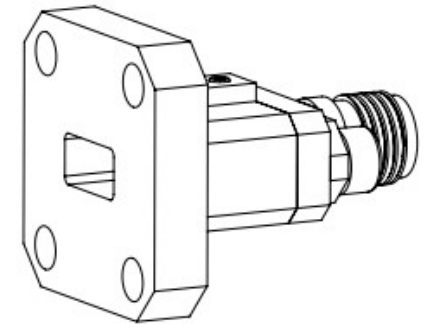
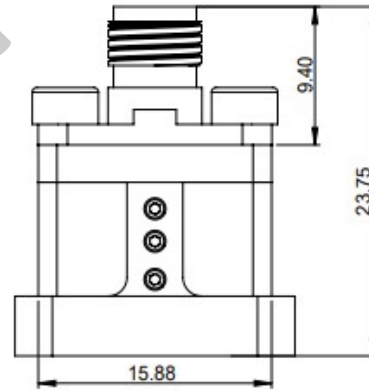
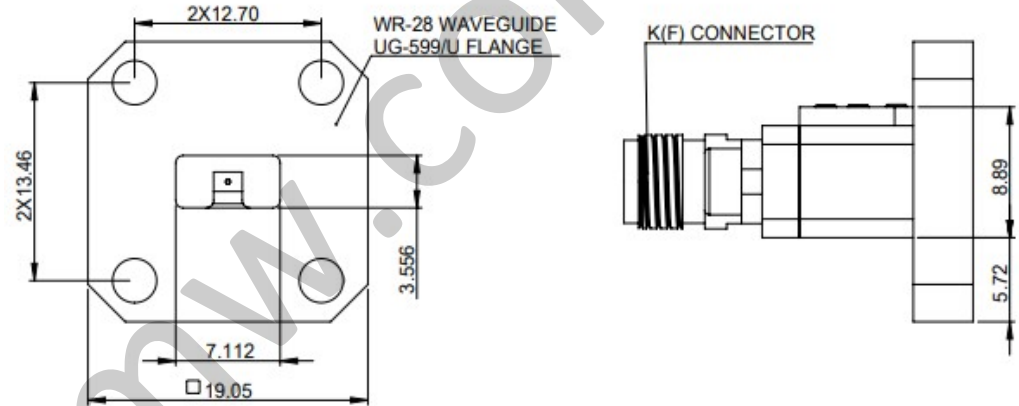
NOTES: UNLESS OTHERWISE SPECIFIED
THIS IS A CAD GENERATED DRAWING, DO NOT REVISE MANUALLY

REVISION HISTORY					
ZONE	REV	DESCRIPTION	E.C.O.NO	DATE	APPROVED
	1	ENGINEERING RELEASE			

LBT-2001

26.5 - 40GHz 波同转换器 Waveguide to Coax Adapter — 技术参数 Specifications —

工作频率 Frequency Range:	26.5-40GHz
驻波 VSWR:	1.3(Typ.)
插入损耗 Insertion Loss:	0.35dB(Typ.)
功率 Power:	20W(CW)
波导端口 Waveguide Port:	WR-28, UG599/U 法兰盘
同轴端口 Coaxial Port:	2.92mm(F)
工作温度 Operation Temperature:	-40°C ~ +85°C
重量 Weight:	9.5g



Unit: mm

UNLESS OTHERWISE SPECIFIED DIMENSIONS ARE MILLIMETER TOLERANCES ARE: DECIMALS ANGLES FRACTIONS .XX±0.1 ±1' ±2/5 .XXX±0.03 .XXX±0.012					P/N: LBT-2001	
	Approvals		DATE		www.lairmw.com sales@lairmw.com	
HOLE DIAMETER .35 TO 3.20 3.21 TO 6.35 6.36 TO 12.70 12.71 TO 19.05 19.06 TO 25.40 25.41 TO 50.80	TOLERANCES +.05/-02 +.10/-03 +.15/-03 +.20/-03 +.25/-03 +.30/-03	DRWN	ENG	CHK	Q.A.	波同转换器 Waveguide to Coax Adapter
		SIZE A3	CAGE NO	DWG NO.	REV 1	
		SCALE 3:2	UNIT mm	SHEET 1 OF 1		