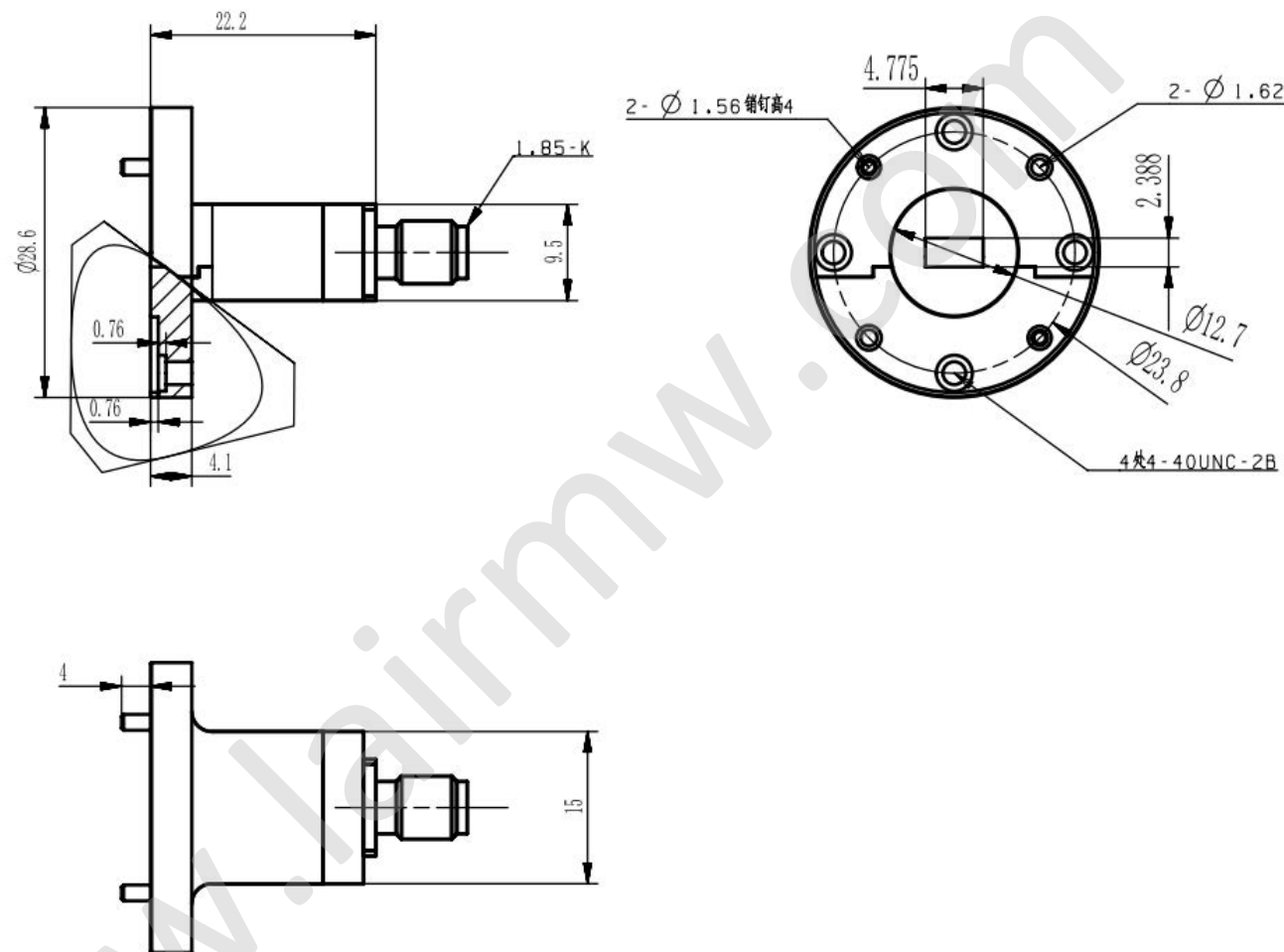


NOTES: UNLESS OTHERWISE SPECIFIED
THIS IS A CAD GENERATED DRAWING, DO NOT REVISE MANUALLY

| REVISION HISTORY | | | | | |
|------------------|-----|---------------------|----------|------|----------|
| ZONE | REV | DESCRIPTION | E.C.O.NO | DATE | APPROVED |
| | 1 | ENGINEERING RELEASE | | | |



LBT-0055

39.2 - 59.6GHz 波同转换器 Waveguide to Coax Adapter

—技术参数Specifications—

工作频率 Frequency Range: 39.2 - 59.6GHz

驻波VSWR: ≤1.34

插入损耗Insertion Loss: ≤0.6dB

同轴接口Coaxial Interface: 1.85mm-K

| | | | | | | |
|--|--|-------|--|--------------|---------------|--|
| UNLESS OTHERWISE SPECIFIED DIMENSIONS ARE MILLIMETER TOLERANCES ARE: DECIMALS ANGLES FRACTIONS .X±0.1 ±1' ±2/5 .XX±0.03 .XXX±0.012 | | | | | P/N: LBT-0055 | |
| | Approvals: _____ DATE: _____ DRWN: QY ENG: CYL CHK: WY | | www.lairmw.com sales@lairmw.com 波同转换器 Waveguide to Coax Adapter | | | |
| HOLE DIAMETER .35 TO 3.20 3.21 TO 6.35 6.36 TO 12.70 12.71 TO 19.05 19.06 TO 25.40 25.41 TO 50.80 | TOLERANCES +05/-02 +10/-03 +15/-03 +20/-03 +25/-03 +30/-03 | SIZE | CAGE NO | DWG NO. | REV | |
| | | A3 | | | 1 | |
| | | SCALE | UNIT | SHEET 1 OF 1 | | |
| | | 3:2 | mm | | | |