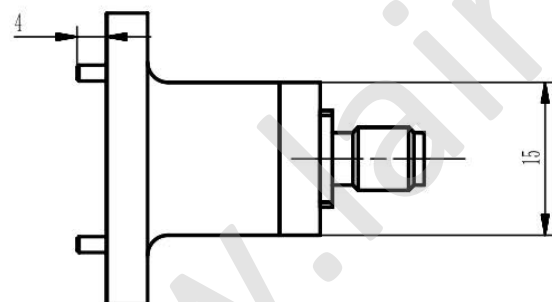
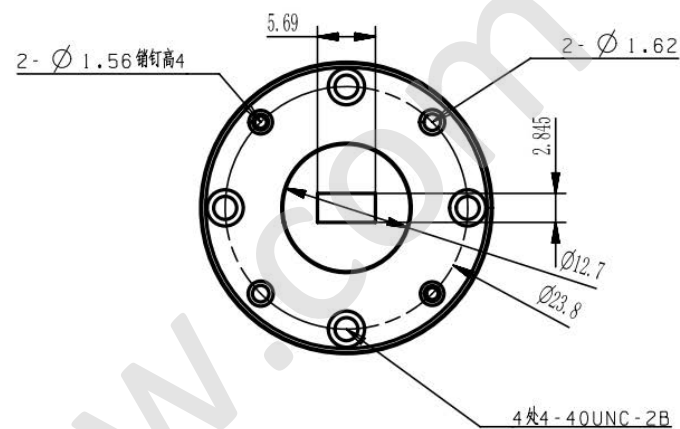
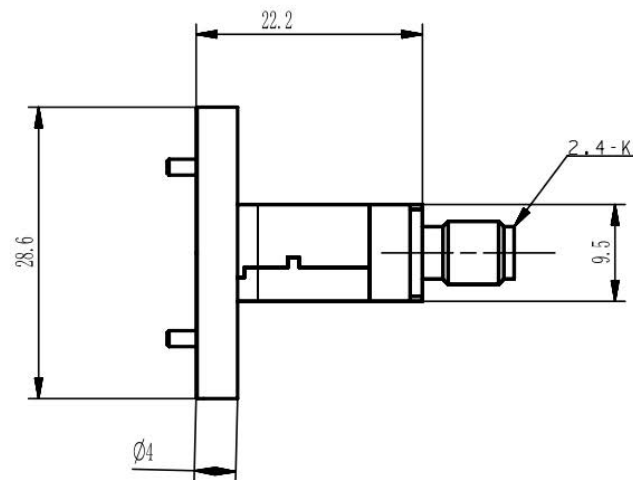


NOTES: UNLESS OTHERWISE SPECIFIED
THIS IS A CAD GENERATED DRAWING, DO NOT REVISE MANUALLY

REVISION HISTORY					
ZONE	REV	DESCRIPTION	E.C.O.NO	DATE	APPROVED
	1	ENGINEERING RELEASE			



LBT-0054

32.9 - 50.1GHz 波同转换器 Waveguide to Coax Adapter

—技术参数Specifications—

工作频率 Frequency Range: 32.9 - 50.1GHz

驻波 VSWR: ≤1.3

同轴接口 Coaxial Interface: 2.4-K

UNLESS OTHERWISE SPECIFIED DIMENSIONS ARE MILLIMETER TOLERANCES ARE: DECIMALS ANGLES FRACTIONS .X±0.1 ±1' ±2/5 .XX±0.03 .XXX±0.012			莱尔微波 www.lairmw.com sales@lairmw.com		P/N: LBT-0054			
	APPROVALS DRWN: QY ENG: CYL CHK: WY	DATE		波同转换器 Waveguide to Coax Adapter				
HOLE DIAMETER .35 TO 3.20 3.21 TO 6.35 6.36 TO 12.70 12.71 TO 19.05 19.06 TO 25.40 25.41 TO 50.80	TOLERANCES +.05/-0.2 +.10/-0.3 +.15/-0.3 +.20/-0.3 +.25/-0.3 +.30/-0.3	SIZE A3	CAGE NO	DWG NO.	REV 1	SCALE 3:2	UNIT mm	SHEET 1 OF 1