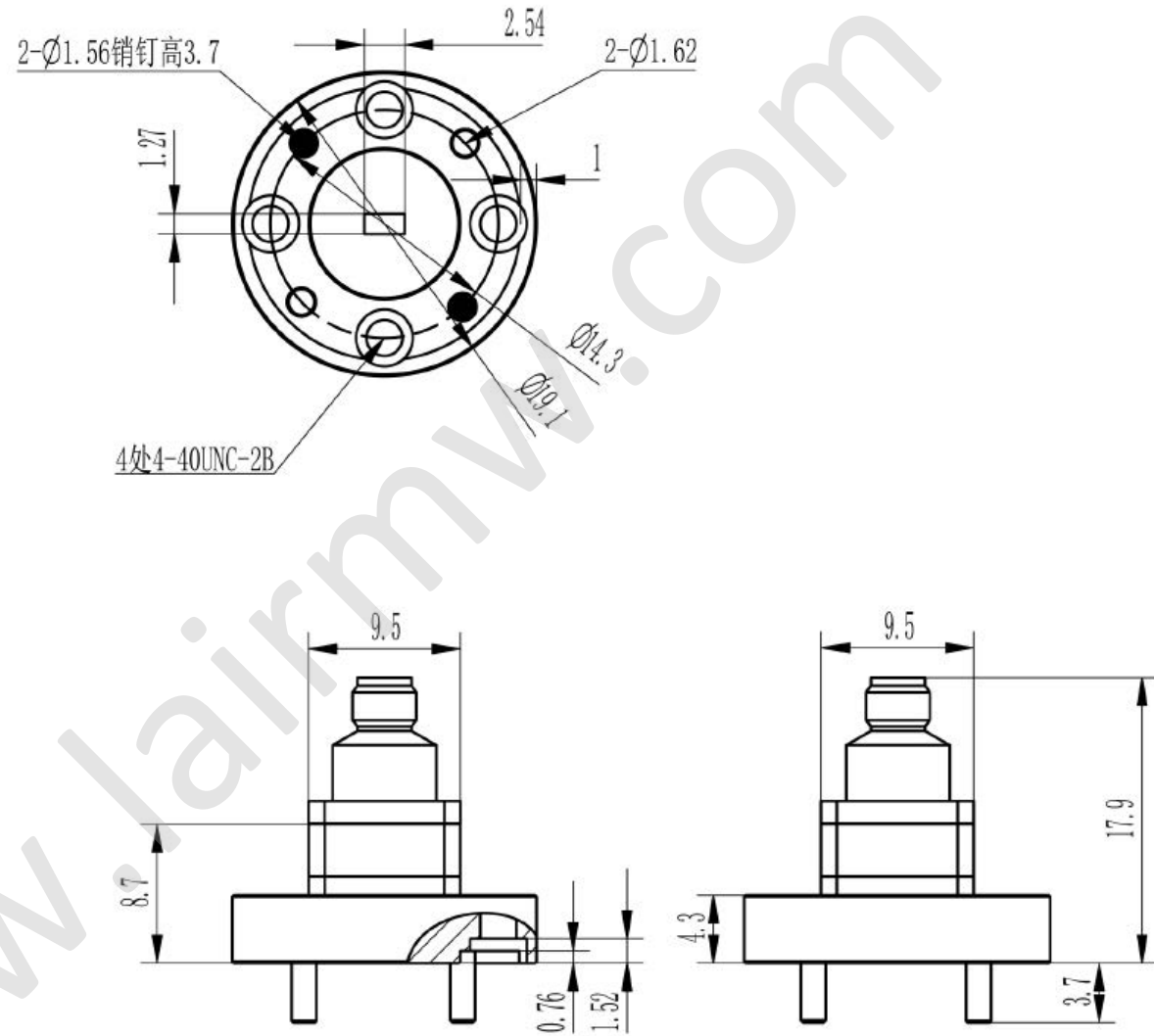


NOTES: UNLESS OTHERWISE SPECIFIED
THIS IS A CAD GENERATED DRAWING, DO NOT REVISE MANUALLY

REVISION HISTORY					
ZONE	REV	DESCRIPTION	E.C.O.NO	DATE	APPROVED
	1	ENGINEERING RELEASE			



LBT-0053

73.8 - 112GHz 波同转换器 Waveguide to Coax Adapter

—技术参数 Specifications—

工作频率 Frequency Range:

73.8 - 112GHz

驻波 VSWR:

≤1.4

插入损耗 Insertion Loss:

≤1.0dB

法兰 Flange:

FUGP900

UNLESS OTHERWISE SPECIFIED DIMENSIONS ARE MILLIMETER TOLERANCES ARE: DECIMALS ANGLES FRACTIONS .XX±0.1 ±1' ±2/5 .XXX±0.03 .XXX±0.012		莱尔微波 www.lairmw.com sales@lairmw.com		P/N: LBT-0053			
		Approvals	DATE	波同转换器 Waveguide to Coax Adapter			
HOLE DIAMETER .35 TO 3.20 3.21 TO 6.35 6.36 TO 12.70 12.71 TO 19.05 19.06 TO 25.40 25.41 TO 50.80	TOLERANCES +.05/-02 +.10/-03 +.15/-03 +.20/-03 +.25/-03 +.30/-03	DRWN		SIZE A3	CAGE NO	DWG NO.	REV 1
		ENG		SCALE 3:2	UNIT mm	SHEET 1 OF 1	
		CHK					
		Q.A.					