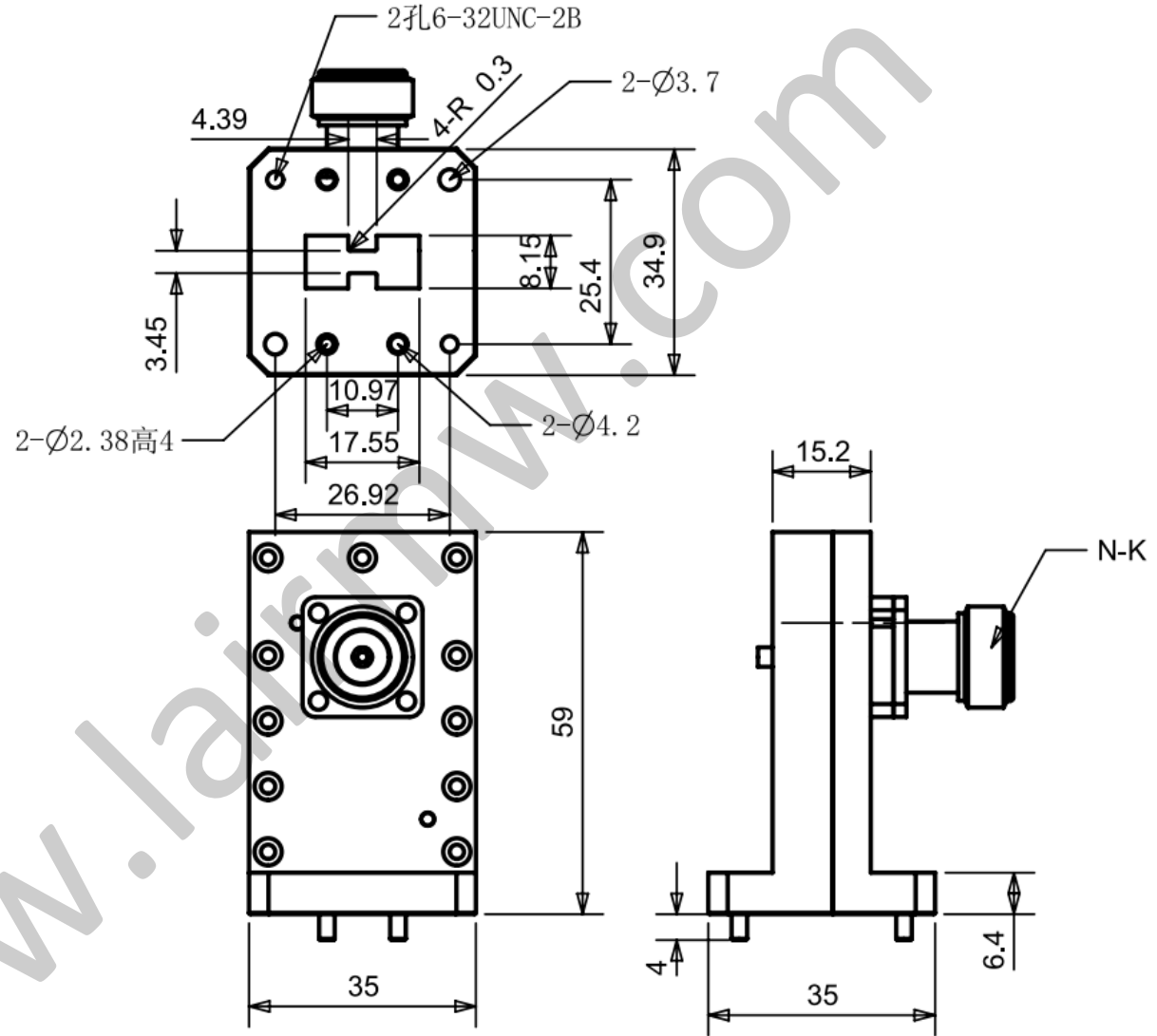


NOTES: UNLESS OTHERWISE SPECIFIED
THIS IS A CAD GENERATED DRAWING, DO NOT REVISE MANUALLY

REVISION HISTORY					
ZONE	REV	DESCRIPTION	E.C.O.NO	DATE	APPROVED
	1	ENGINEERING RELEASE			



LBT-0042

7.5 - 18GHz 波同转换器 Waveguide to Coax Adapter

— 技术参数 Specifications —

工作频率 Frequency Range: 7.5 - 18GHz

驻波 VSWR: ≤1.3

波导接口 Waveguide Connector: WRD750

同轴接口 Coaxial Connector: N-K

法兰 Flange: /

UNLESS OTHERWISE SPECIFIED DIMENSIONS ARE MILLIMETER TOLERANCES ARE: DECIMALS ANGLES FRACTIONS .XX±0.1 ±1' ±2/5 .XXX±0.03 .XXX±0.012				莱尔微波 www.lairm.com sales@lairm.com		P/N: LBT-0042							
				Approvals DATE		波同转换器 Waveguide to Coax Adapter							
HOLE DIAMETER .35 TO 3.20 3.21 TO 6.35 6.36 TO 12.70 12.71 TO 19.05 19.06 TO 25.40 25.41 TO 50.80		TOLERANCES +.05/-02 +.10/-03 +.15/-03 +.20/-03 +.25/-03 +.30/-03		DRWN		SIZE	A3	CAGE NO		DWG NO.		REV	1
				ENG		SCALE	3:2	UNIT	mm	SHEET 1 OF 1			
				CHK									
				Q.A.									