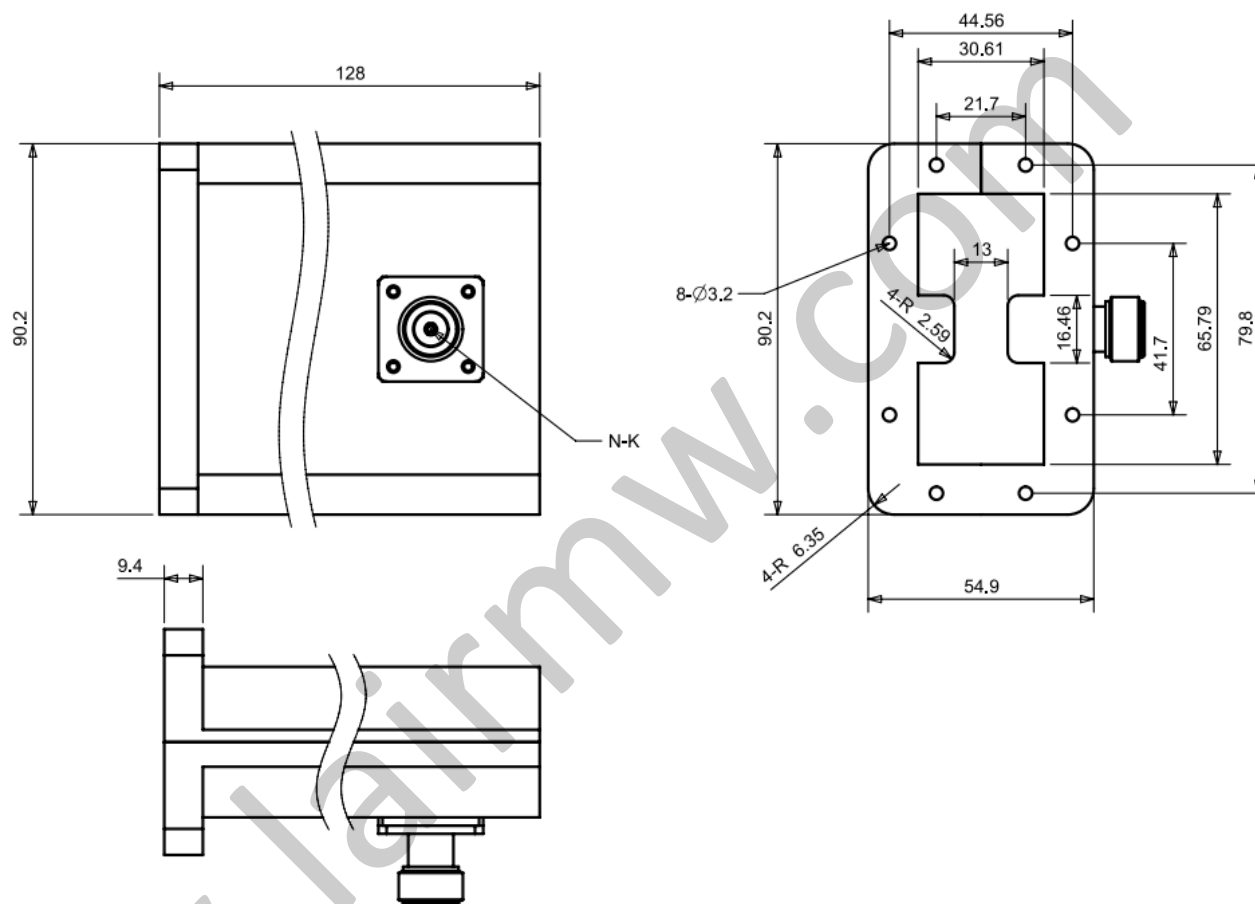


NOTES: UNLESS OTHERWISE SPECIFIED
THIS IS A CAD GENERATED DRAWING, DO NOT REVISE MANUALLY

REVISION HISTORY					
ZONE	REV	DESCRIPTION	E.C.O.NO	DATE	APPROVED
	1	ENGINEERING RELEASE			



LBT-0040

2 - 6GHz 波同转换器 Waveguide to Coax Adapter

—技术参数 Specifications—

工作频率 Frequency Range:	2 - 6GHz
驻波 VSWR:	≤1.25@2-4.8GHz/≤1.3@2-6GHz
波导接口 Waveguide Connector:	WRD200
同轴接口 Coaxial Connector:	N-K
法兰 Flange:	FPWRD200

UNLESS OTHERWISE SPECIFIED DIMENSIONS ARE MILLIMETER TOLERANCES ARE: DECIMALS ANGLES FRACTIONS .XX±0.03 ±1' ±2/5 .XXX±0.012			莱尔微波 www.lairmw.com sales@lairmw.com		P/N: LBT-0040				
			Approvals DATE		波同转换器 Waveguide to Coax Adapter				
HOLE DIAMETER .35 TO 3.20 3.21 TO 6.35 6.36 TO 12.70 12.71 TO 19.05 19.06 TO 25.40 25.41 TO 50.80	TOLERANCES +05/-02 +10/-03 +15/-03 +20/-03 +25/-03 +30/-03	DRWN		SIZE	A3	CAGE NO	DWG NO.	REV	1
		ENG		SCALE	3:2	UNIT	mm	SHEET 1 OF 1	
		CHK							
		Q.A.							