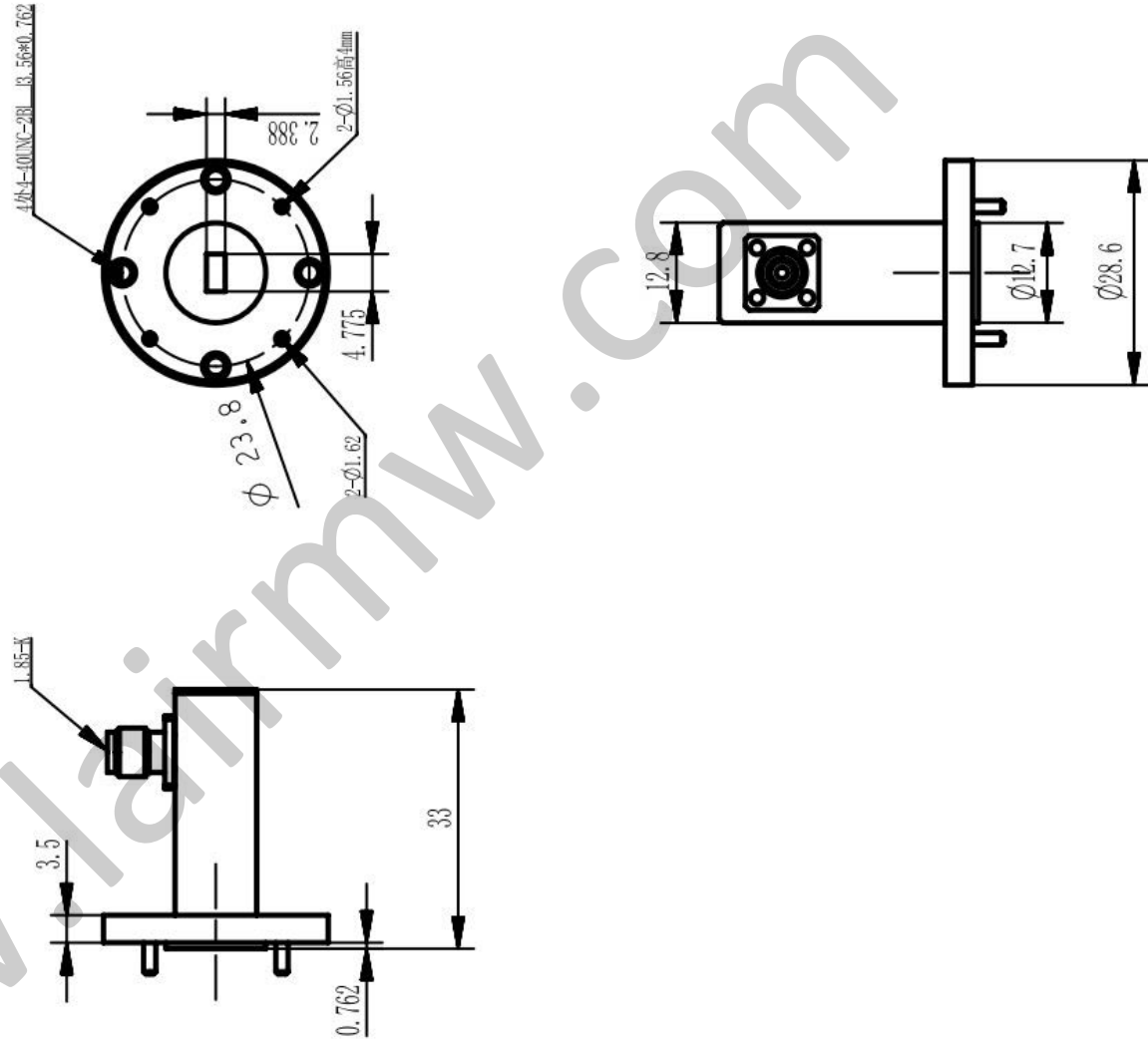


NOTES: UNLESS OTHERWISE SPECIFIED  
THIS IS A CAD GENERATED DRAWING, DO NOT REVISE MANUALLY

REVISION HISTORY					
ZONE	REV	DESCRIPTION	E.C.O.NO	DATE	APPROVED
	1	ENGINEERING RELEASE			



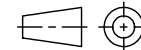
## LBT-0036

39.2 - 59.6GHz 波同转换器 Waveguide to Coax Adapter

### —技术参数 Specifications—

工作频率 Frequency Range:	39.2 - 59.6GHz
驻波 VSWR:	≤1.5
插入损耗 Insertion Loss:	≤0.6
波导接口 Waveguide Connector:	/
同轴接口 Coaxial Connector:	1.85mm-K
法兰 Flange:	/

UNLESS OTHERWISE SPECIFIED  
DIMENSIONS ARE MILLIMETER  
TOLERANCES ARE:  
DECIMALS ANGLES FRACTIONS  
.XX±0.1 ±1' ±2/5  
.XXX±0.03  
.XXX±0.012



Approvals

DATE



www.lairmw.com sales@lairmw.com

P/N: LBT-0036

波同转换器 Waveguide to Coax Adapter

HOLE DIAMETER	TOLERANCES
.35 TO 3.20	+05/-02
3.21 TO 6.35	+10/-03
6.36 TO 12.70	+15/-03
12.71 TO 19.05	+20/-03
19.06 TO 25.40	+25/-03
25.41 TO 50.80	+30/-03

DRWN	
ENG	
CHK	
Q.A.	

SIZE  
A3

CAGE NO

DWG NO.

REV  
1

SCALE  
3:2

UNIT  
mm

SHEET 1 OF 1