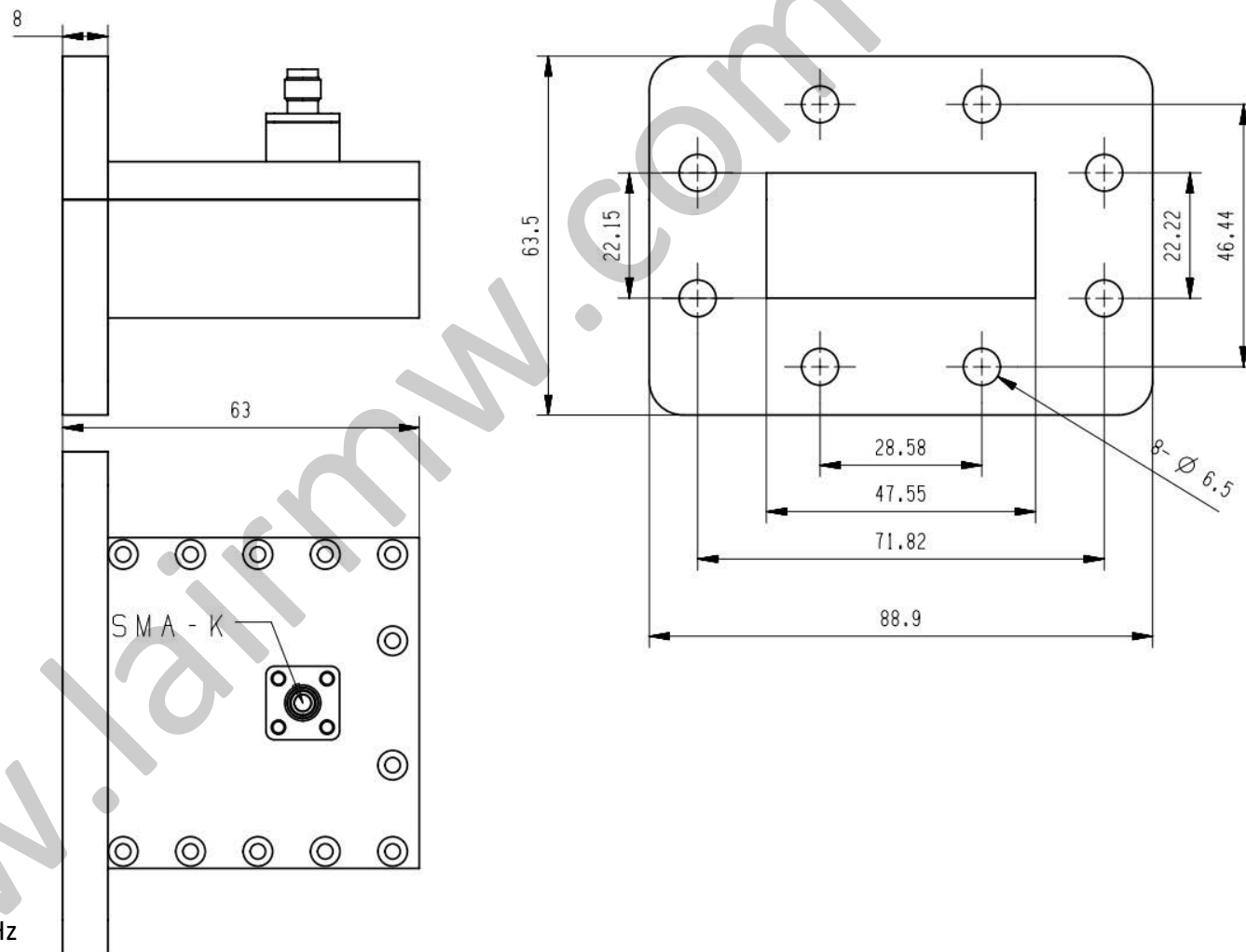


NOTES: UNLESS OTHERWISE SPECIFIED
THIS IS A CAD GENERATED DRAWING, DO NOT REVISE MANUALLY

REVISION HISTORY					
ZONE	REV	DESCRIPTION	E.C.O.NO	DATE	APPROVED
	1	ENGINEERING RELEASE			



LBT-0033

3.94 - 5.99GHz 波同转换器 Waveguide to Coax Adapter

— 技术参数 Specifications —

工作频率 Frequency Range:

3.94 - 5.99GHz

驻波 VSWR:

≤1.15@3.94-5.2GHz

≤1.05@5.2-5.99GHz

波导接口 Waveguide Connector:

WR187

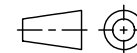
同轴接口 Coaxial Connector:

SMA-K

法兰 Flange:

FDP48

UNLESS OTHERWISE SPECIFIED
DIMENSIONS ARE MILLIMETER
TOLERANCES ARE:
DECIMALS ANGLES FRACTIONS
.XX±0.1 ±1' ±2/5
.XXX±0.03
.XXX±0.012



Approvals

DATE

DRWN

ENG

CHK

Q.A.



www.lairmw.com sales@lairmw.com

P/N: LBT-0033

波同转换器 Waveguide to Coax Adapter

SIZE
A3

CAGE NO

DWG NO.

REV
1

SCALE
3:2

UNIT
mm

SHEET 1 OF 1

HOLE DIAMETER
.35 TO 3.20
3.21 TO 6.35
6.36 TO 12.70
12.71 TO 19.05
19.06 TO 25.40
25.41 TO 50.80

TOLERANCES
+.05/-02
+.10/-03
+.15/-03
+.20/-03
+.25/-03
+.30/-03