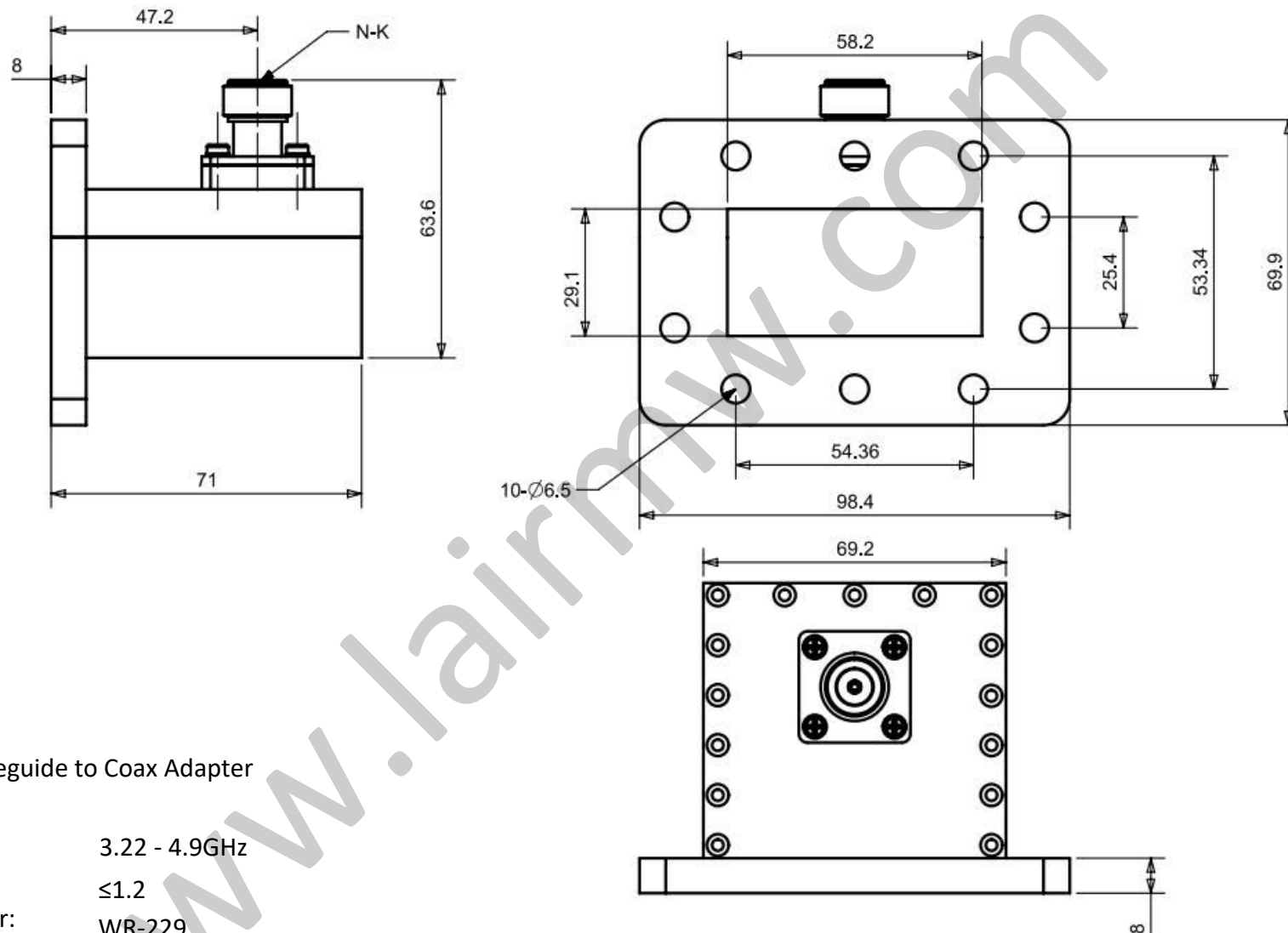


NOTES: UNLESS OTHERWISE SPECIFIED  
THIS IS A CAD GENERATED DRAWING, DO NOT REVISE MANUALLY

REVISION HISTORY					
ZONE	REV	DESCRIPTION	E.C.O.NO	DATE	APPROVED
	1	ENGINEERING RELEASE			



## LBT-0031

3.22 - 4.9GHz 波同转换器 Waveguide to Coax Adapter

### —技术参数 Specifications—

工作频率 Frequency Range: 3.22 - 4.9GHz

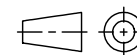
驻波 VSWR:  $\leq 1.2$

波导接口 Waveguide Connector: WR-229

同轴接口 Coaxial Connector: N-K

法兰 Flange: /

UNLESS OTHERWISE SPECIFIED  
DIMENSIONS ARE MILLIMETER  
TOLERANCES ARE:  
DECIMALS ANGLES FRACTIONS  
.XX±0.1 ±1' ±2/5  
.XXX±0.03  
.XXX±0.012



Approvals

DATE

DRWN

ENG

CHK

Q.A.



www.lairmw.com sales@lairmw.com

P/N: LBT-0031

波同转换器 Waveguide to Coax Adapter

SIZE A3

CAGE NO

DWG NO.

REV 1

SCALE 3:2

UNIT mm

SHEET 1 OF 1

HOLE DIAMETER  
.35 TO 3.20  
3.21 TO 6.35  
6.36 TO 12.70  
12.71 TO 19.05  
19.06 TO 25.40  
25.41 TO 50.80

TOLERANCES  
+.05/-0.2  
+.10/-0.3  
+.15/-0.3  
+.20/-0.3  
+.25/-0.3  
+.30/-0.3