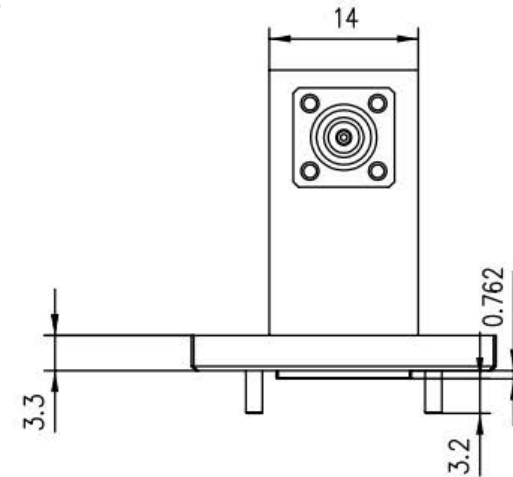
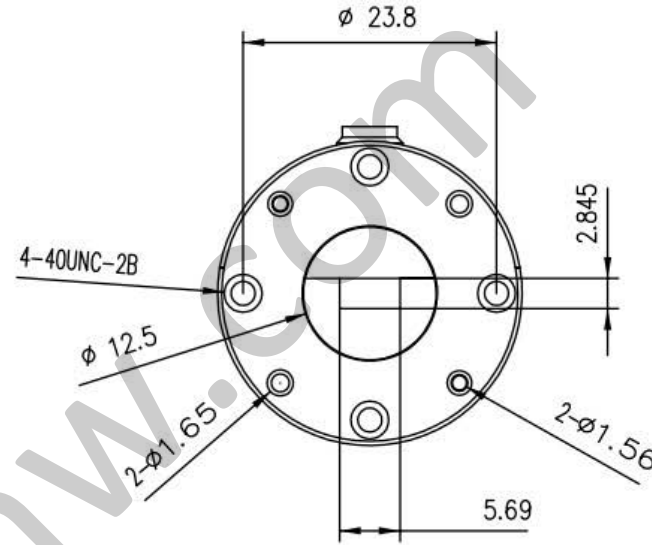
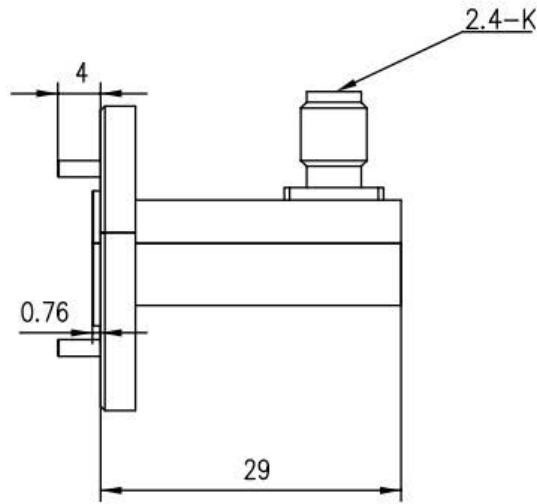


NOTES: UNLESS OTHERWISE SPECIFIED
THIS IS A CAD GENERATED DRAWING, DO NOT REVISE MANUALLY

REVISION HISTORY					
ZONE	REV	DESCRIPTION	E.C.O.NO	DATE	APPROVED
	1	ENGINEERING RELEASE			



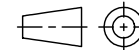
LBT-0030

32.9 - 50.1GHz 波同转换器 Waveguide to Coax Adapter

—技术参数 Specifications—

工作频率 Frequency Range:	32.9 - 50.1GHz
驻波 VSWR:	≤ 1.4
插入损耗 Insertion Loss:	≤ 0.5
波导接口 Waveguide Connector:	WR-22
同轴接口 Coaxial Connector:	2.4mm-K
法兰 Flange:	FUGP400

UNLESS OTHERWISE SPECIFIED
DIMENSIONS ARE MILLIMETER
TOLERANCES ARE:
DECIMALS ANGLES FRACTIONS
.XX \pm 0.1 $\pm 1'$ $\pm 2/5$
.XXX \pm 0.03
.XXX \pm 0.012



Approvals

DATE

DRWN

ENG

CHK

Q.A.



www.lairmw.com sales@lairmw.com

P/N: LBT-0030

波同转换器 Waveguide to Coax Adapter

SIZE A3

CAGE NO

DWG NO.

REV 1

SCALE 3:2

UNIT mm

SHEET 1 OF 1

HOLE DIAMETER	TOLERANCES
.35 TO 3.20	+05/-02
3.21 TO 6.35	+10/-03
6.36 TO 12.70	+15/-03
12.71 TO 19.05	+20/-03
19.06 TO 25.40	+25/-03
25.41 TO 50.80	+30/-03