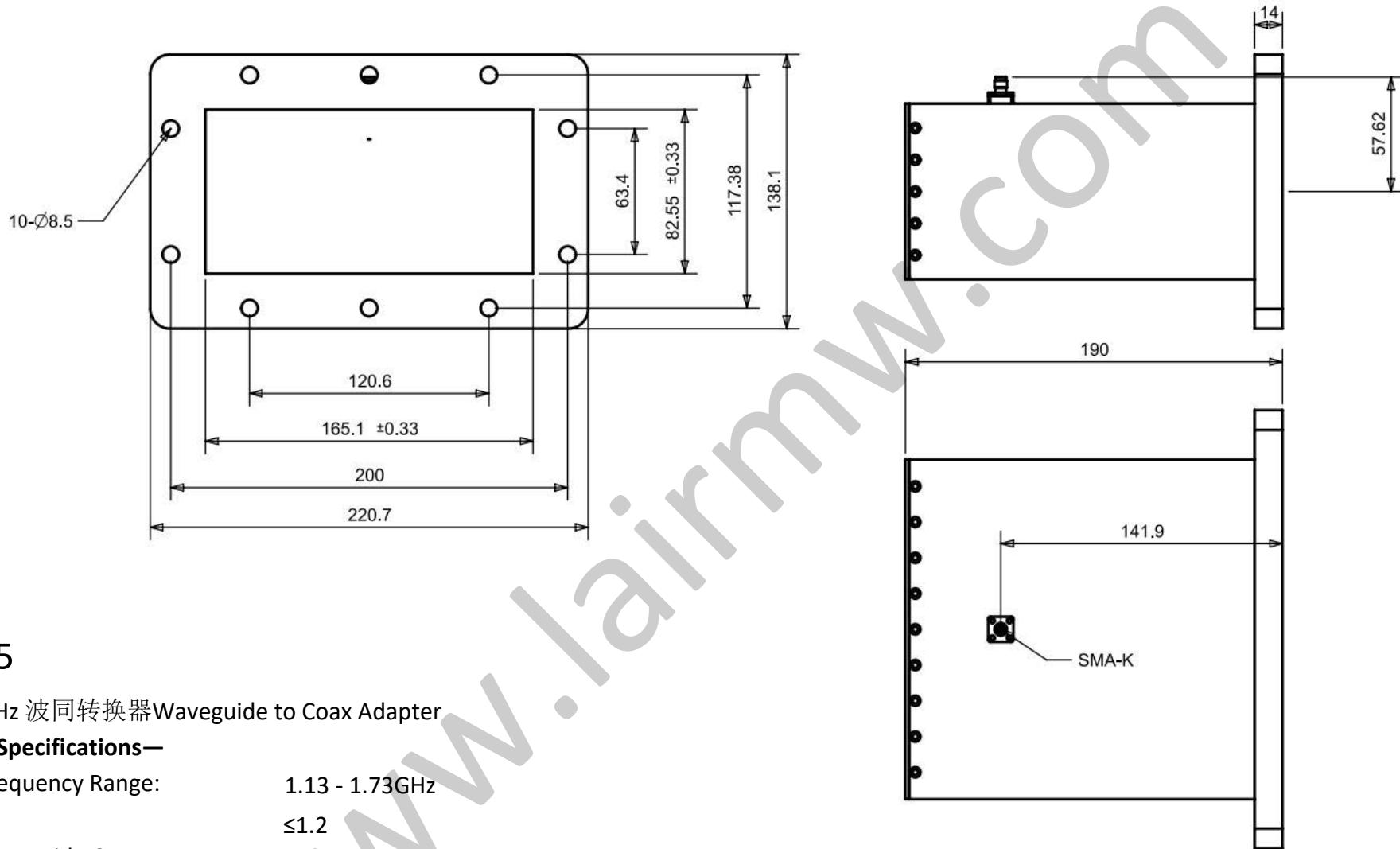


NOTES: UNLESS OTHERWISE SPECIFIED
THIS IS A CAD GENERATED DRAWING, DO NOT REVISE MANUALLY

REVISION HISTORY					
ZONE	REV	DESCRIPTION	E.C.O.NO	DATE	APPROVED
	1	ENGINEERING RELEASE			



LBT-0025

1.13 - 1.73GHz 波同转换器 Waveguide to Coax Adapter

—技术参数 Specifications—

工作频率 Frequency Range:	1.13 - 1.73GHz
驻波 VSWR:	≤1.2
波导接口 Waveguide Connector:	WR-650
同轴接口 Coaxial Connector:	SMA-K
法兰 Flange:	FDP14

UNLESS OTHERWISE SPECIFIED DIMENSIONS ARE MILLIMETER TOLERANCES ARE: DECIMALS ANGLES FRACTIONS .XX±0.1 ±1' ±2/5 .XXX±0.03 .XXX±0.012			莱尔微波 www.lairmw.com sales@lairmw.com	P/N: LBT-0025	
	Approvals	DATE		波同转换器 Waveguide to Coax Adapter	
HOLE DIAMETER .35 TO 3.20 3.21 TO 6.35 6.36 TO 12.70 12.71 TO 19.05 19.06 TO 25.40 25.41 TO 50.80	TOLERANCES +.05/-0.2 +.10/-0.3 +.15/-0.3 +.20/-0.3 +.25/-0.3 +.30/-0.3	DRWN		SIZE	A3
		ENG		CAGE NO	
		CHK		DWG NO.	
		Q.A.		SCALE	3:2
				UNIT	mm
				SHEET 1 OF 1	
				REV	1