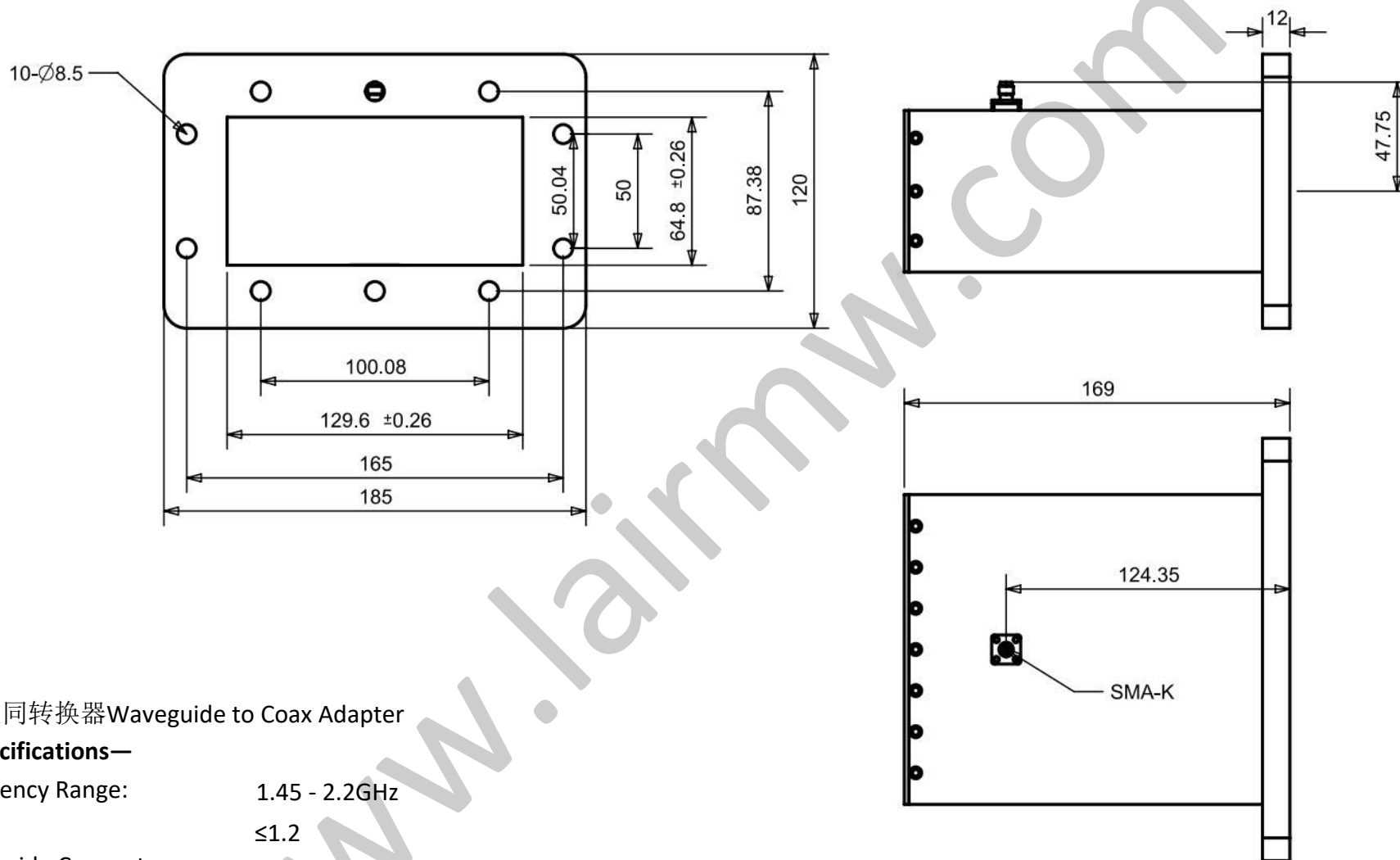


NOTES: UNLESS OTHERWISE SPECIFIED  
THIS IS A CAD GENERATED DRAWING, DO NOT REVISE MANUALLY

REVISION HISTORY					
ZONE	REV	DESCRIPTION	E.C.O.NO	DATE	APPROVED
	1	ENGINEERING RELEASE			



## LBT-0023

1.45 - 2.2GHz 波同转换器 Waveguide to Coax Adapter

### —技术参数 Specifications—

工作频率 Frequency Range:	1.45 - 2.2GHz
驻波 VSWR:	≤1.2
波导接口 Waveguide Connector:	WR-510
同轴接口 Coaxial Connector:	SMA-K
法兰 Flange:	FDP18

UNLESS OTHERWISE SPECIFIED DIMENSIONS ARE MILLIMETER TOLERANCES ARE: DECIMALS ANGLES FRACTIONS .XX±0.03 ±1' ±2/5 .XXX±0.012			莱尔微波 www.lairmw.com sales@lairmw.com		P/N: LBT-0023		
	Approvals	DATE	波同转换器 Waveguide to Coax Adapter				
DRWN	ENG	CHK	Q.A.	SIZE A3	CAGE NO	DWG NO.	REV 1
HOLE DIAMETER .35 TO 3.20 3.21 TO 6.35 6.36 TO 12.70 12.71 TO 19.05 19.06 TO 25.40 25.41 TO 50.80	TOLERANCES +.05/-02 +.10/-03 +.15/-03 +.20/-03 +.25/-03 +.30/-03	SCALE 3:2		UNIT mm	SHEET 1 OF 1		