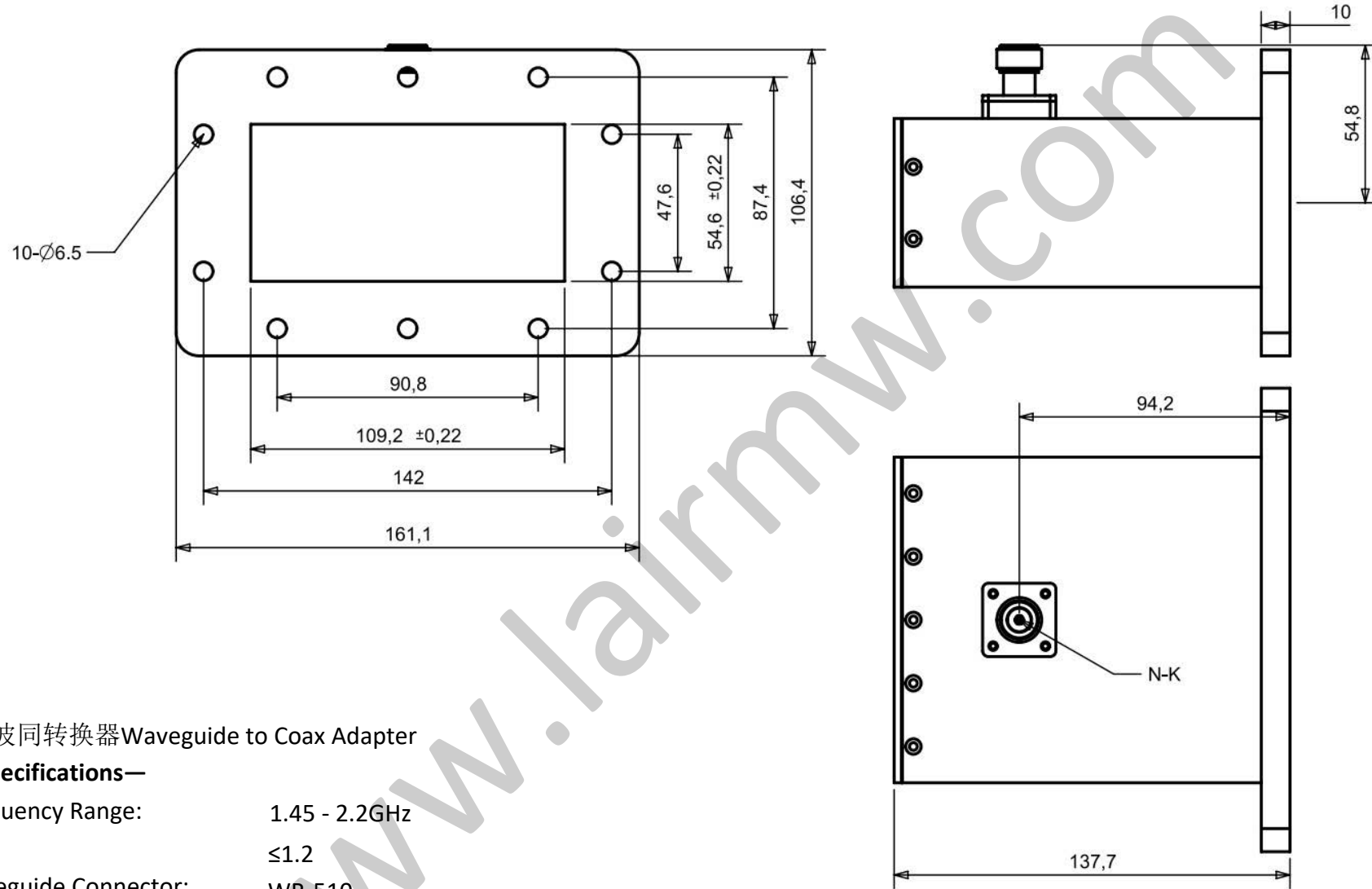


NOTES: UNLESS OTHERWISE SPECIFIED
THIS IS A CAD GENERATED DRAWING, DO NOT REVISE MANUALLY

REVISION HISTORY					
ZONE	REV	DESCRIPTION	E.C.O.NO	DATE	APPROVED
	1	ENGINEERING RELEASE			



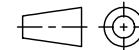
LBT-0022

1.45 - 2.2GHz 波同转换器 Waveguide to Coax Adapter

—技术参数 Specifications—

工作频率 Frequency Range: 1.45 - 2.2GHz
 驻波 VSWR: ≤1.2
 波导接口 Waveguide Connector: WR-510
 同轴接口 Coaxial Connector: N-K
 法兰 Flange: FDP18

UNLESS OTHERWISE SPECIFIED
DIMENSIONS ARE MILLIMETER
TOLERANCES ARE:
DECIMALS ANGLES FRACTIONS
.XX±0.1 ±1' ±2/5
.XXX±0.03
.XXX±0.012



Approvals	DATE
DRWN	
ENG	
CHK	
Q.A.	

莱尔微波
Laird Microwave
www.lairmw.com sales@lairmw.com

P/N: LBT-0022

波同转换器 Waveguide to Coax Adapter

SIZE	CAGE NO	DWG NO.	REV
A3			1
SCALE 3:2	UNIT mm	SHEET 1 OF 1	

HOLE DIAMETER	TOLERANCES
.35 TO 3.20	+05/-02
3.21 TO 6.35	+10/-03
6.36 TO 12.70	+15/-03
12.71 TO 19.05	+20/-03
19.06 TO 25.40	+25/-03
25.41 TO 50.80	+30/-03