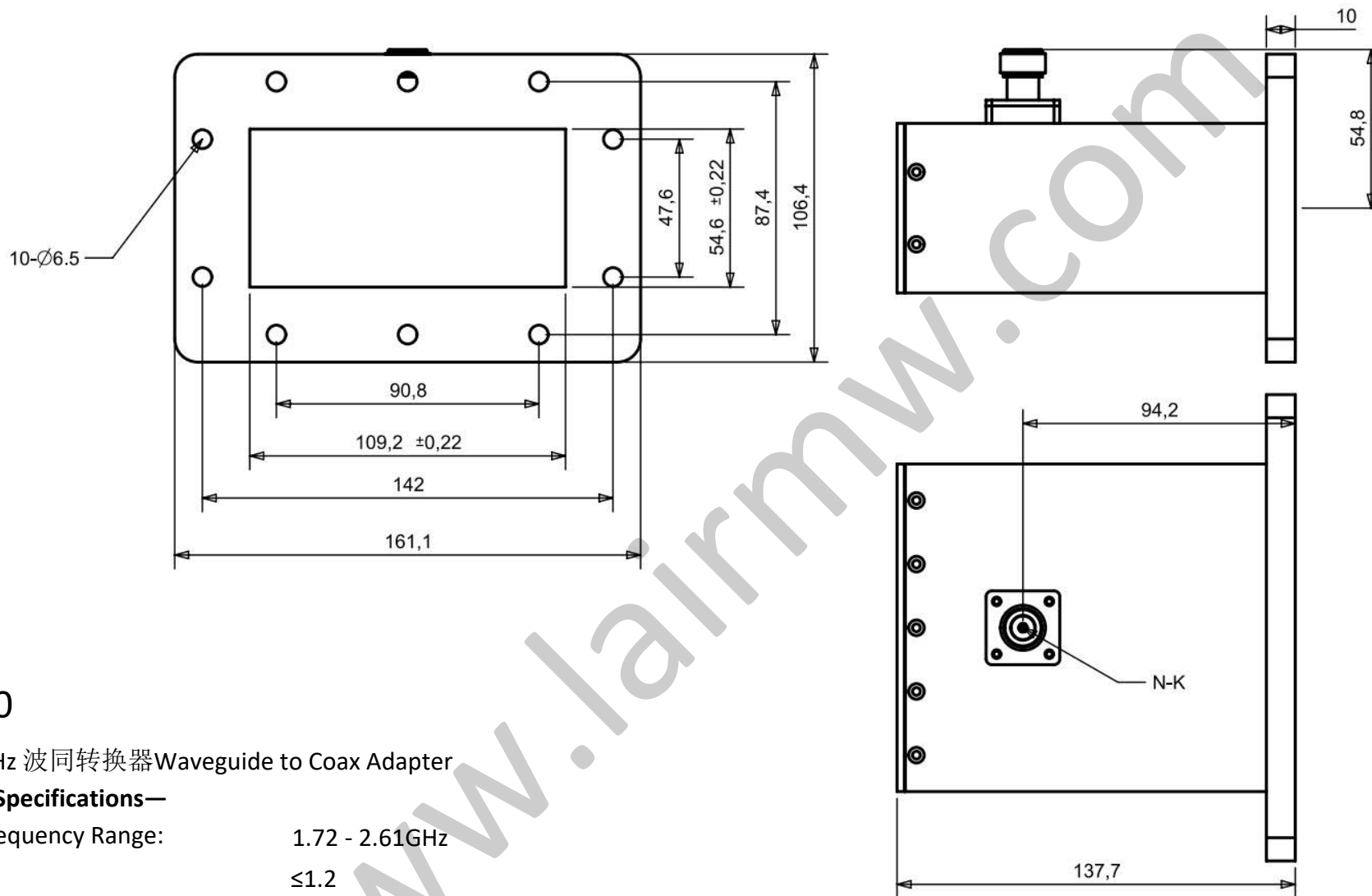


NOTES: UNLESS OTHERWISE SPECIFIED
THIS IS A CAD GENERATED DRAWING, DO NOT REVISE MANUALLY

REVISION HISTORY					
ZONE	REV	DESCRIPTION	E.C.O.NO	DATE	APPROVED
	1	ENGINEERING RELEASE			



LBT-0020

1.72 - 2.61GHz 波同转换器 Waveguide to Coax Adapter

—技术参数 Specifications—

工作频率 Frequency Range:	1.72 - 2.61GHz
驻波 VSWR:	≤1.2
波导接口 Waveguide Connector:	WR-430
同轴接口 Coaxial Connector:	N-K
法兰 Flange:	FDP22

UNLESS OTHERWISE SPECIFIED DIMENSIONS ARE MILLIMETER TOLERANCES ARE: DECIMALS ANGLES FRACTIONS .XX±0.03 ±1' ±2/5 .XXX±0.012					P/N: LBT-0020	
	Approvals: _____ DATE: _____ DRWN: _____ ENG: _____ CHK: _____ Q.A.: _____		www.lairmw.com sales@lairmw.com		波同转换器 Waveguide to Coax Adapter	
HOLE DIAMETER .35 TO 3.20 +.05/-0.2 3.21 TO 6.35 +.10/-0.3 6.36 TO 12.70 +.15/-0.3 12.71 TO 19.05 +.20/-0.3 19.06 TO 25.40 +.25/-0.3 25.41 TO 50.80 +.30/-0.3	TOLERANCES +.05/-0.2 +.10/-0.3 +.15/-0.3 +.20/-0.3 +.25/-0.3 +.30/-0.3	SIZE	CAGE NO	DWG NO.	REV	
		A3			1	
		SCALE	UNIT	SHEET 1 OF 1		
		3:2	mm			