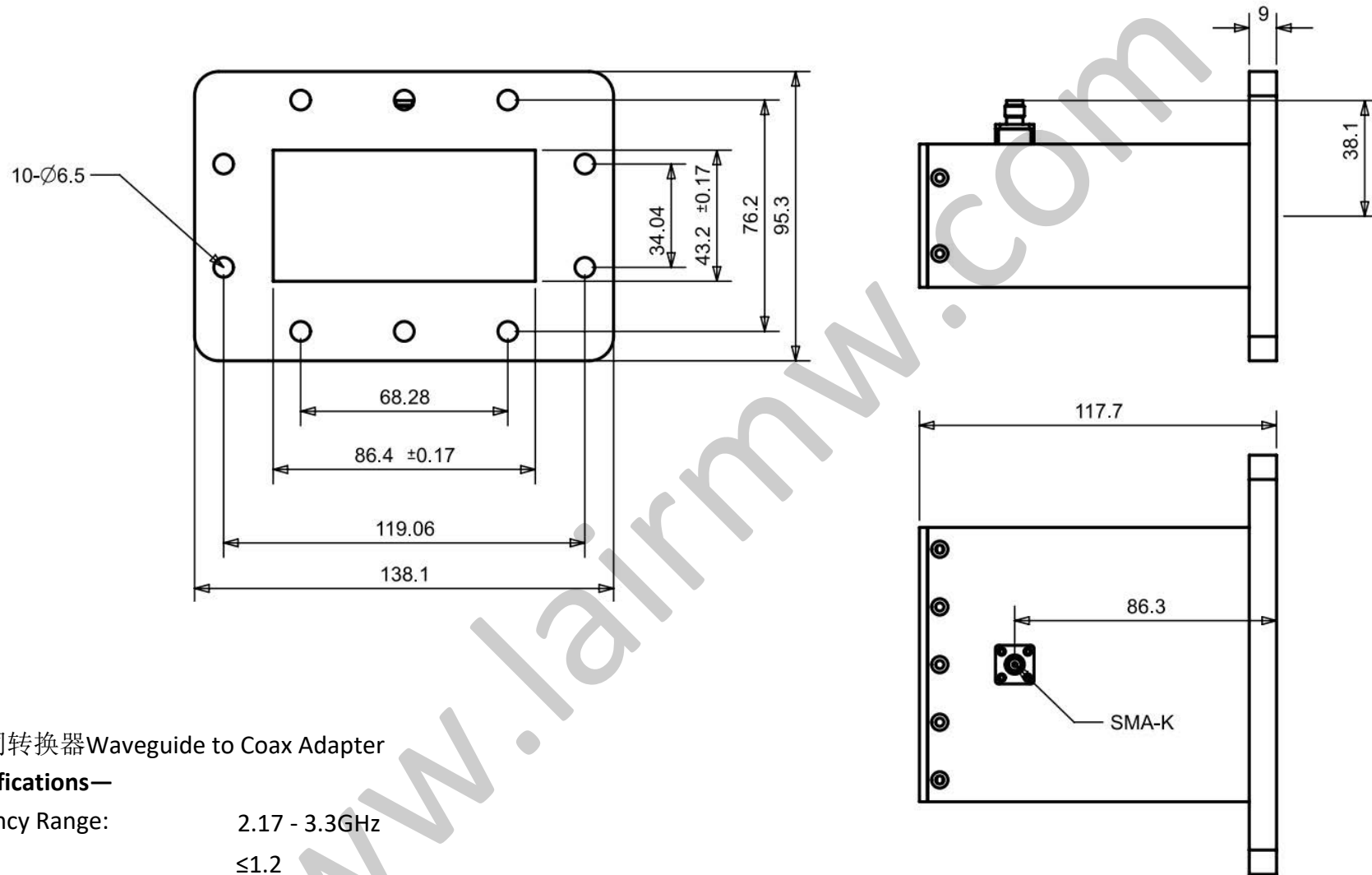


NOTES: UNLESS OTHERWISE SPECIFIED
THIS IS A CAD GENERATED DRAWING, DO NOT REVISE MANUALLY

REVISION HISTORY					
ZONE	REV	DESCRIPTION	E.C.O.NO	DATE	APPROVED
	1	ENGINEERING RELEASE			



LBT-0019

2.17 - 3.3GHz 波同转换器 Waveguide to Coax Adapter

—技术参数 Specifications—

工作频率 Frequency Range: 2.17 - 3.3GHz
 驻波 VSWR: ≤1.2
 波导接口 Waveguide Connector: WR-340
 同轴接口 Coaxial Connector: SMA-K
 法兰 Flange: FDP26

UNLESS OTHERWISE SPECIFIED DIMENSIONS ARE MILLIMETER TOLERANCES ARE: DECIMALS ANGLES FRACTIONS .XX±0.1 ±1' ±2/5 .XXX±0.03 .XXX±0.012			莱尔微波 www.lairmw.com sales@lairmw.com		P/N: LBT-0019				
	Approvals	DATE	波同转换器 Waveguide to Coax Adapter						
HOLE DIAMETER .35 TO 3.20 3.21 TO 6.35 6.36 TO 12.70 12.71 TO 19.05 19.06 TO 25.40 25.41 TO 50.80	TOLERANCES +.05/-0.2 +.10/-0.3 +.15/-0.3 +.20/-0.3 +.25/-0.3 +.30/-0.3	DRWN	ENG	CHK	Q.A.	SIZE A3	CAGE NO	DWG NO.	REV 1
		SCALE 3:2		UNIT mm		SHEET 1 OF 1			