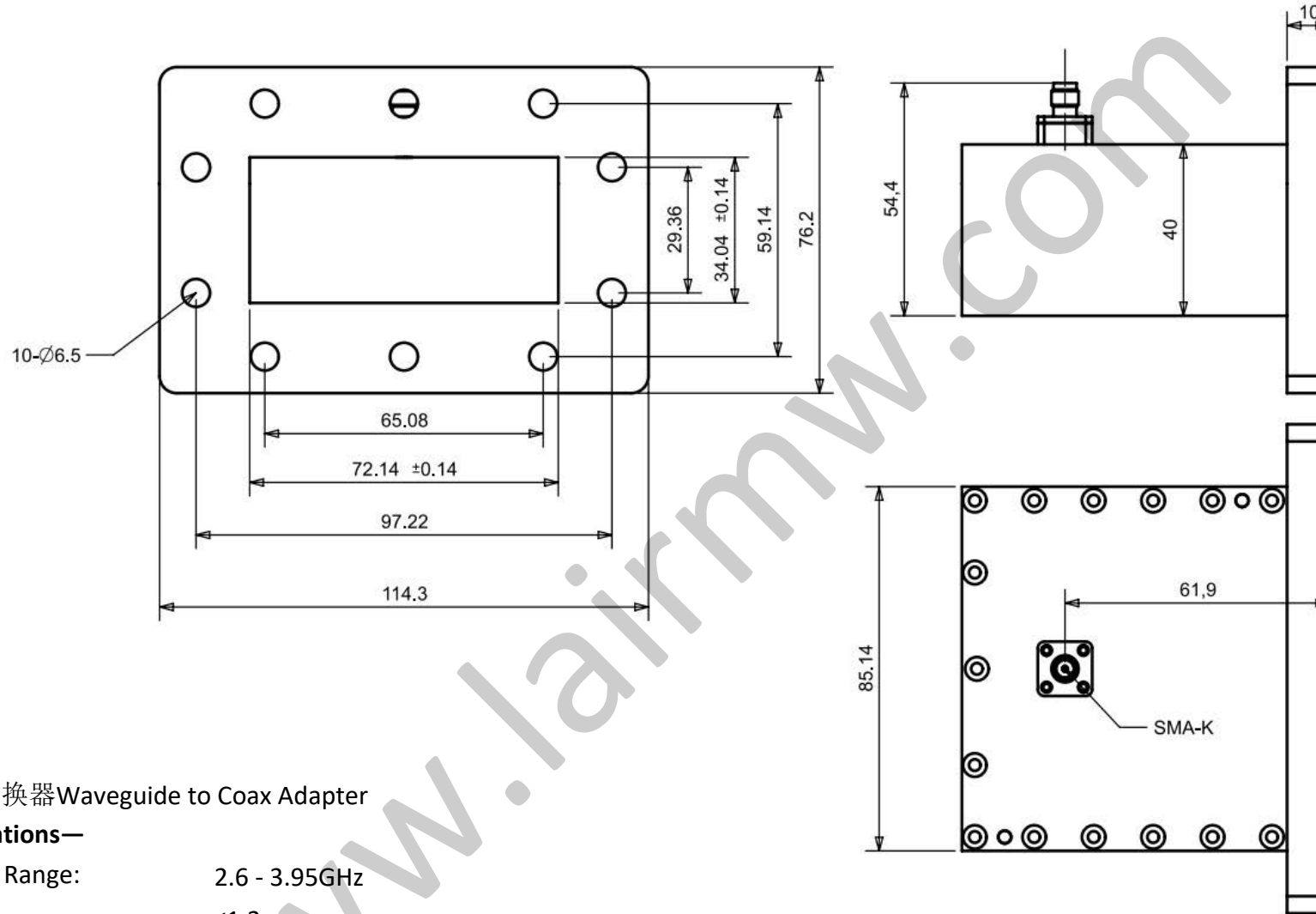


NOTES: UNLESS OTHERWISE SPECIFIED  
THIS IS A CAD GENERATED DRAWING, DO NOT REVISE MANUALLY

REVISION HISTORY					
ZONE	REV	DESCRIPTION	E.C.O.NO	DATE	APPROVED
	1	ENGINEERING RELEASE			



## LBT-0017

2.6 - 3.95GHz 波同转换器 Waveguide to Coax Adapter

### —技术参数 Specifications—

工作频率 Frequency Range: 2.6 - 3.95GHz  
 驻波 VSWR: ≤1.2  
 波导接口 Waveguide Connector: WR-284  
 同轴接口 Coaxial Connector: SMA-K  
 法兰 Flange: FDP32

UNLESS OTHERWISE SPECIFIED DIMENSIONS ARE MILLIMETER TOLERANCES ARE: DECIMALS ANGLES FRACTIONS .XX±0.1 ±1' ±2/5 .XXX±0.012					P/N: LBT-0017		
	Approvals		DATE		www.lairmw.com sales@lairmw.com		
DRWN		ENG		波同转换器 Waveguide to Coax Adapter			
CHK		Q.A.		SIZE A3	CAGE NO	DWG NO.	REV 1
HOLE DIAMETER .35 TO 3.20 3.21 TO 6.35 6.36 TO 12.70 12.71 TO 19.05 19.06 TO 25.40 25.41 TO 50.80		TOLERANCES +.05/-02 +.10/-03 +.15/-03 +.20/-03 +.25/-03 +.30/-03		SCALE 3:2	UNIT mm	SHEET 1 OF 1	