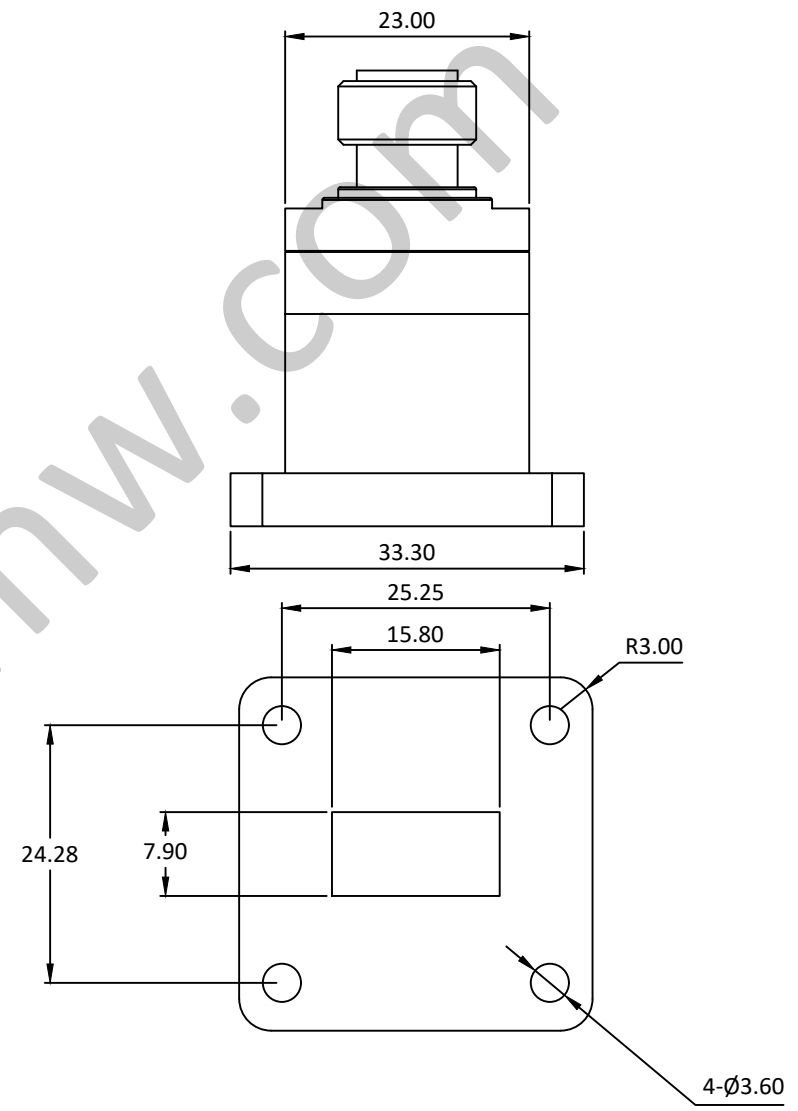
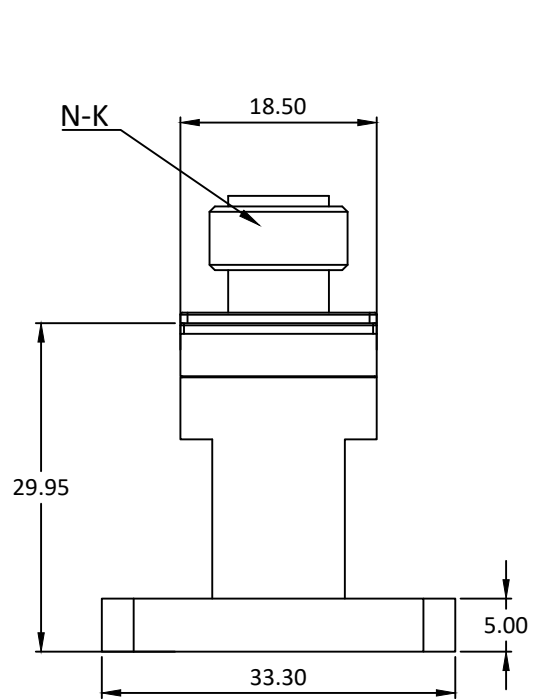


NOTES: UNLESS OTHERWISE SPECIFIED
THIS IS A CAD GENERATED DRAWING, DO NOT REVISE MANUALLY

REVISION HISTORY					
ZONE	REV	DESCRIPTION	E.C.O.NO	DATE	APPROVED
	1	ENGINEERING RELEASE			



LBT-0014

11.9 - 18GHz 波同转换器 Waveguide to Coax Adapter

—技术参数 Specifications—

工作频率 Frequency Range: 11.9 - 18GHz

驻波 VSWR: ≤1.2

插入损耗 Insertion Loss: ≤0.3dB

接口 Connectors: N-K

法兰 Flange: FBP140

UNLESS OTHERWISE SPECIFIED DIMENSIONS ARE MILLIMETER TOLERANCES ARE: DECIMALS ANGLES FRACTIONS .XX±0.1 ±1' ±2/5 .XXX±0.03 .XXX±0.012					P/N: LBT-0014	
	Approvals DATE		www.lairmw.com sales@lairmw.com		波同转换器 Waveguide to Coax Adapter	
HOLE DIAMETER .35 TO 3.20 3.21 TO 6.35 6.36 TO 12.70 12.71 TO 19.05 19.06 TO 25.40 25.41 TO 50.80	TOLERANCES +.05/-02 +.10/-03 +.15/-03 +.20/-03 +.25/-03 +.30/-03	DRWN ENG CHK Q.A.	DATE	SIZE A3 SCALE 3:2	CAGE NO UNIT mm	DWG NO. SHEET 1 OF 1
				REV 1		