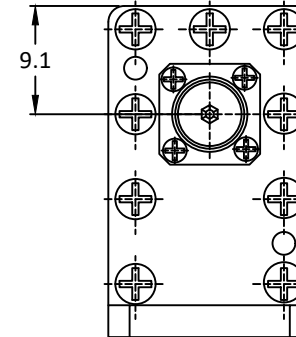
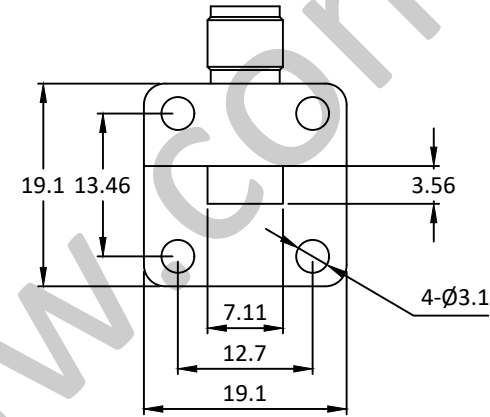
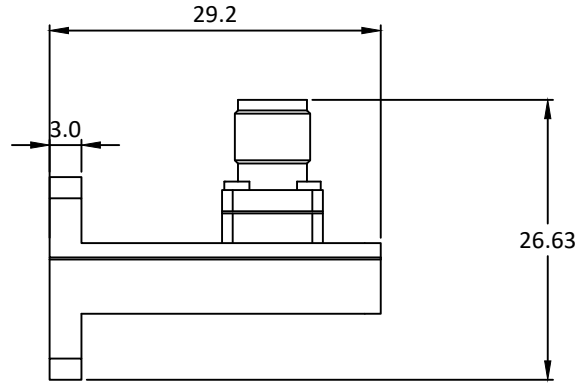


NOTES: UNLESS OTHERWISE SPECIFIED  
THIS IS A CAD GENERATED DRAWING, DO NOT REVISE MANUALLY

REVISION HISTORY					
ZONE	REV	DESCRIPTION	E.C.O.NO	DATE	APPROVED
	1	ENGINEERING RELEASE			



## LBT-0011

26.3 - 40GHz 波同转换器 Waveguide to Coax Adapter

### —技术参数 Specifications—

工作频率 Frequency Range: 26.3 - 40GHz  
 驻波VSWR: ≤1.2  
 插入损耗 Insertion Loss: ≤0.3dB  
 接口 Connectors: /  
 法兰 Flange: FBP320

UNLESS OTHERWISE SPECIFIED DIMENSIONS ARE MILLIMETER TOLERANCES ARE: DECIMALS ANGLES FRACTIONS .XX±0.1 ±1' ±2/5 .XXX±0.03 .XXX±0.012				莱尔微波 Laird Microwave www.lairmw.com sales@lairmw.com		P/N: LBT-0011	
		Approvals DATE		波同转换器 Waveguide to Coax Adapter			
HOLE DIAMETER .35 TO 3.20 3.21 TO 6.35 6.36 TO 12.70 12.71 TO 19.05 19.06 TO 25.40 25.41 TO 50.80		TOLERANCES +.05/-02 +.10/-03 +.15/-03 +.20/-03 +.25/-03 +.30/-03		DRWN ENG CHK Q.A.		SIZE A3 SCALE 3:2 CAGE NO UNIT mm DWG NO. SHEET 1 OF 1 REV 1	