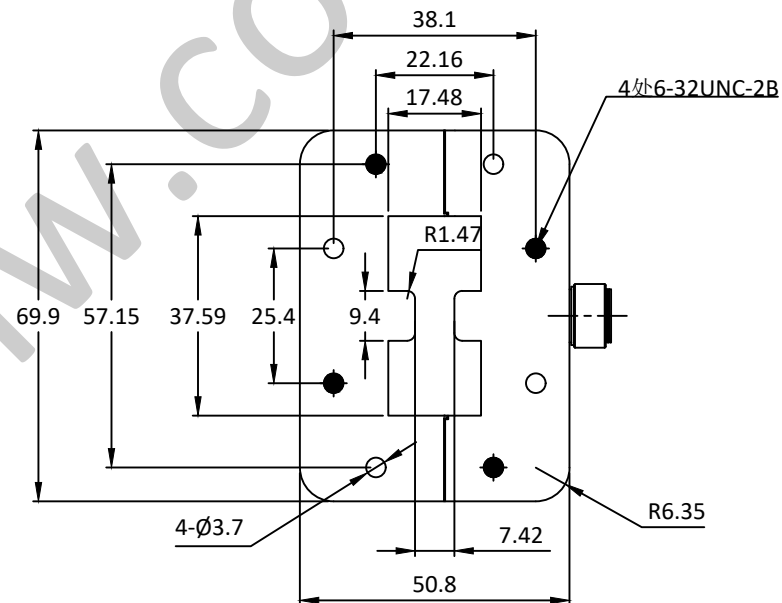
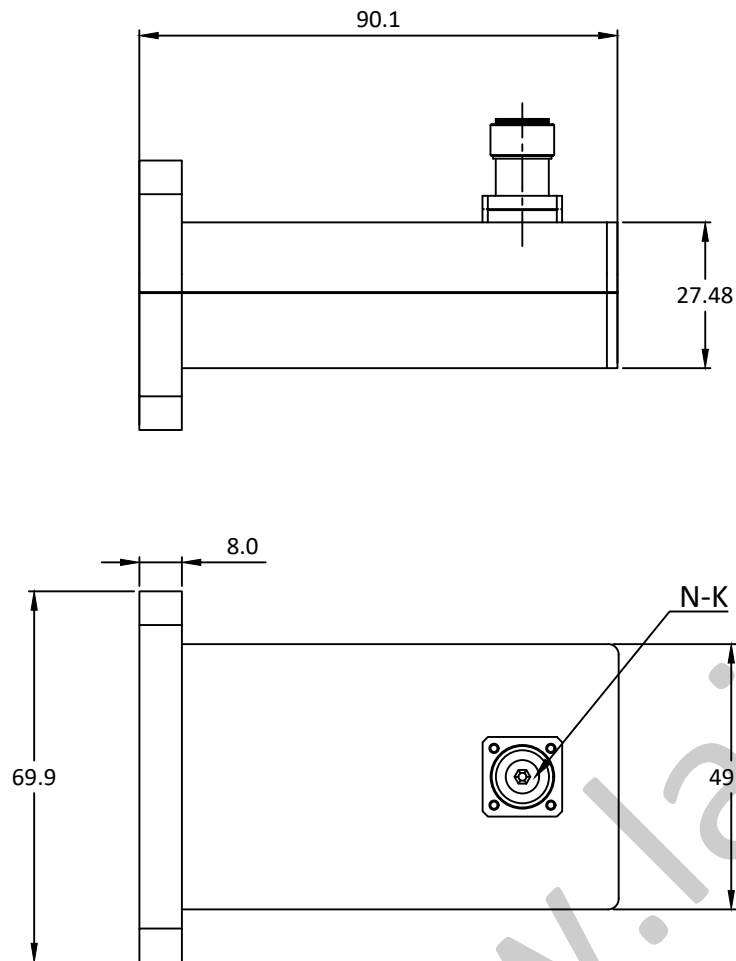


NOTES: UNLESS OTHERWISE SPECIFIED  
THIS IS A CAD GENERATED DRAWING, DO NOT REVISE MANUALLY

REVISION HISTORY					
ZONE	REV	DESCRIPTION	E.C.O.NO	DATE	APPROVED
	1	ENGINEERING RELEASE			



### LBT-0008

3.5 - 8.2GHz 波同转换器 Waveguide to Coax Adapter

—技术参数 Specifications—

工作频率 Frequency Range:	3.5 - 8.2GHz
驻波 VSWR:	≤1.3
插入损耗 Insertion Loss:	≤0.3dB
功率 Power:	600W
接口 Connectors:	/
法兰 Flange:	FPWRD350

UNLESS OTHERWISE SPECIFIED DIMENSIONS ARE MILLIMETER TOLERANCES ARE: DECIMALS ANGLES FRACTIONS .XX±0.03 ±1' ±2/5 .XXX±0.012			莱尔微波 www.lairmw.com sales@lairmw.com	P/N: LBT-0008																		
	<table border="1"> <tr> <td>Approvals</td> <td>DATE</td> </tr> <tr> <td>DRWN</td> <td></td> </tr> <tr> <td>ENG</td> <td></td> </tr> <tr> <td>CHK</td> <td></td> </tr> <tr> <td>Q.A.</td> <td></td> </tr> </table>	Approvals		DATE	DRWN		ENG		CHK		Q.A.		波同转换器 Waveguide to Coax Adapter		<table border="1"> <tr> <td>SIZE</td> <td>CAGE NO</td> <td>DWG NO.</td> <td>REV</td> </tr> <tr> <td>A3</td> <td></td> <td></td> <td>1</td> </tr> </table>		SIZE	CAGE NO	DWG NO.	REV	A3	
Approvals	DATE																					
DRWN																						
ENG																						
CHK																						
Q.A.																						
SIZE	CAGE NO	DWG NO.	REV																			
A3			1																			
<table border="1"> <tr> <td>HOLE DIAMETER</td> <td>TOLERANCES</td> </tr> <tr> <td>.35 TO 3.20</td> <td>+05/-02</td> </tr> <tr> <td>3.21 TO 6.35</td> <td>+10/-03</td> </tr> <tr> <td>6.36 TO 12.70</td> <td>+15/-03</td> </tr> <tr> <td>12.71 TO 19.05</td> <td>+20/-03</td> </tr> <tr> <td>19.06 TO 25.40</td> <td>+25/-03</td> </tr> <tr> <td>25.41 TO 50.80</td> <td>+30/-03</td> </tr> </table>	HOLE DIAMETER	TOLERANCES	.35 TO 3.20	+05/-02	3.21 TO 6.35	+10/-03	6.36 TO 12.70	+15/-03	12.71 TO 19.05	+20/-03	19.06 TO 25.40	+25/-03	25.41 TO 50.80	+30/-03	SCALE 3:2 UNIT mm		SHEET 1 OF 1					
HOLE DIAMETER	TOLERANCES																					
.35 TO 3.20	+05/-02																					
3.21 TO 6.35	+10/-03																					
6.36 TO 12.70	+15/-03																					
12.71 TO 19.05	+20/-03																					
19.06 TO 25.40	+25/-03																					
25.41 TO 50.80	+30/-03																					