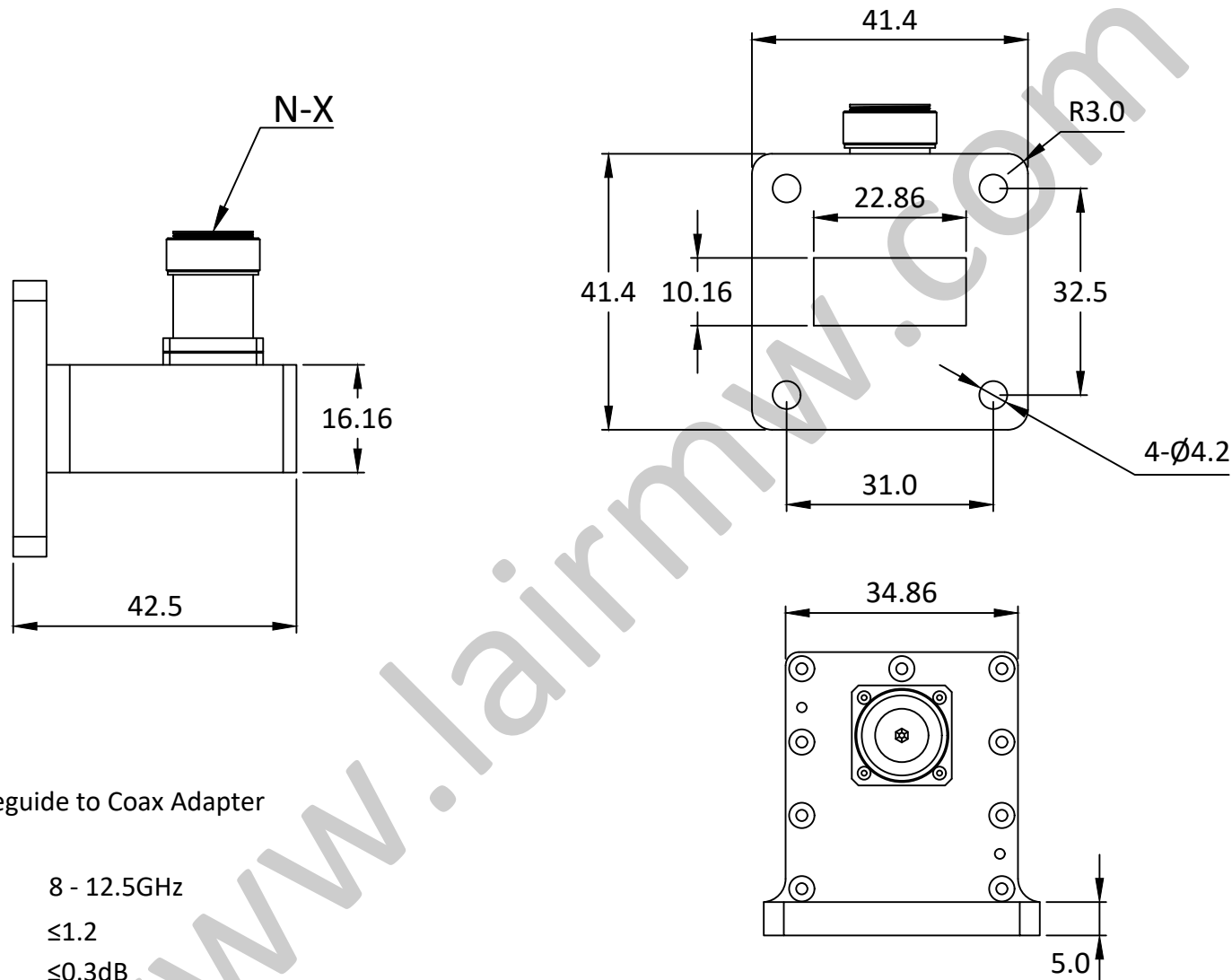


NOTES: UNLESS OTHERWISE SPECIFIED
THIS IS A CAD GENERATED DRAWING, DO NOT REVISE MANUALLY

REVISION HISTORY					
ZONE	REV	DESCRIPTION	E.C.O.NO	DATE	APPROVED
	1	ENGINEERING RELEASE			



LBT-0003

8 - 12.5GHz 波同转换器 Waveguide to Coax Adapter

—技术参数 Specifications—

工作频率 Frequency Range:	8 - 12.5GHz
驻波 VSWR:	≤1.2
插入损耗 Insertion Loss:	≤0.3dB
功率 Power:	5000W(占空比5%)
接口 Connectors:	N-K
法兰 Flange:	FBP100

UNLESS OTHERWISE SPECIFIED DIMENSIONS ARE MILLIMETER TOLERANCES ARE: DECIMALS ANGLES FRACTIONS .XX±0.1 ±1' ±2/5 .XXX±0.03 .XXX±0.012					P/N: LBT-0003	
	Approvals DATE		www.lairmw.com sales@lairmw.com			
DRWN ENG CHK Q.A.		波同转换器 Waveguide to Coax Adapter				
HOLE DIAMETER .35 TO 3.20 3.21 TO 6.35 6.36 TO 12.70 12.71 TO 19.05 19.06 TO 25.40 25.41 TO 50.80		TOLERANCES +05/-02 +10/-03 +15/-03 +20/-03 +25/-03 +30/-03		SIZE A3	CAGE NO	DWG NO. 1
		SCALE 3:2		UNIT mm	SHEET 1 OF 1	