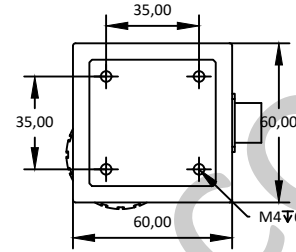
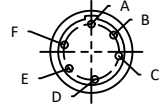


NOTES:UNLESS OTHERWISE SPECIFIED  
THIS IS A CAD GENERATED DRAWING,DO NOT REVISE MANUALLY

REVISION HISTORY					
ZONE	REV	DESCRIPTION	E.C.O.NO	DATE	APPROVED
	1	ENGINEERING RELEASE			

MS3112E10-6P Pin Definition

Pin#	Definition	Description
A	+27V	当 A 接+27V, 持续时间 120±20ms 时,开关处于状态 I (PORT1-PORT4、PORT2-PORT3 导通)
B	GND	
C	+27V	当 C 接+27V, 持续时间 120±20ms 时,开关处于状态 II (PORT1-PORT2、PORT3-PORT4 导通)
D	接微动开关	开关状态信号,开关处于状态 I 时,D 和 E 导通
E	微动开关地	接地
F	接微动开关	开关状态信号,开关处于状态 II 时,E 和 F 导通



LBS-0009

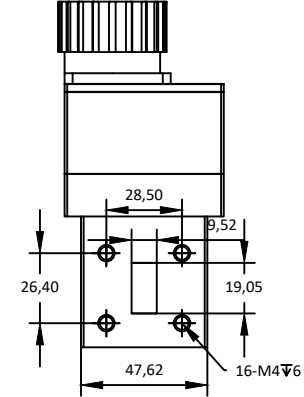
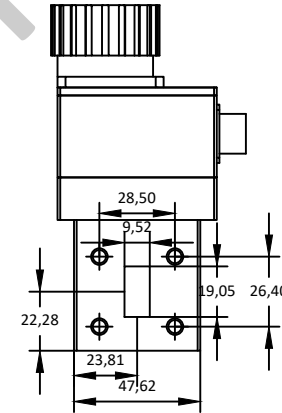
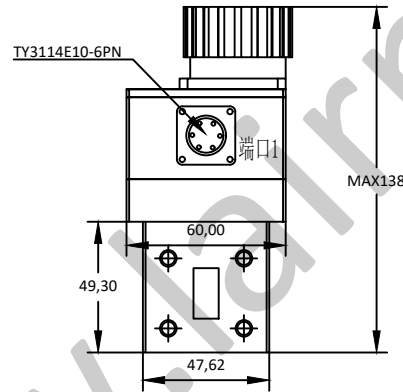
9.84 - 15GHz 双刀双掷波导开关 DPDT Waveguide Switch

—电气技术参数Electrical Specifications—

频率范围 Frequency Range:	9.84-15GHz
隔离度 Isolation:	≥60dB
插入损耗 Insertion Loss:	≤0.2dB
驻波 VSWR:	≤1.1
切换时间 Switching Time:	≤120ms
直流偏置电压 DC Supply Voltage:	+27V±10%
直流偏置电流 DC Supply Current:	≤2.5A
工作温度 Operation Temperature:	-40 ~ +85℃
存储温度 Storage Temperature:	-55 ~ +80℃

—机械技术参数Mechanical Specification—

法兰接口 Flange Interface:	FBP120
控制接口 Control Interface:	MS3112E10-6P



UNLESS OTHERWISE SPECIFIED DIMENSIONS ARE MILLIMETER TOLERANCES ARE: DECIMALS ANGLES FRACTIONS .X±0.1 ±1° ±2/5 .XX±0.03 .XXX±0.012		莱尔微波 Laird Microwave www.lairmw.com sales@lairmw.com		P/N: LBS-0009																																						
		9.84-15GHz 双刀双掷波导开关 DPDT Waveguide Switch																																								
<table border="1"> <thead> <tr> <th>HOLE DIAMETER</th> <th>TOLERANCES</th> </tr> </thead> <tbody> <tr> <td>.35 TO 3.20</td> <td>+.05/- .02</td> </tr> <tr> <td>3.21 TO 6.35</td> <td>+.10/- .03</td> </tr> <tr> <td>6.36 TO 12.70</td> <td>+.15/- .03</td> </tr> <tr> <td>12.71 TO 19.05</td> <td>+.20/- .03</td> </tr> <tr> <td>19.06 TO 25.40</td> <td>+.25/- .03</td> </tr> <tr> <td>25.41 TO 50.80</td> <td>+.30/- .03</td> </tr> </tbody> </table>	HOLE DIAMETER	TOLERANCES	.35 TO 3.20	+.05/- .02	3.21 TO 6.35	+.10/- .03	6.36 TO 12.70	+.15/- .03	12.71 TO 19.05	+.20/- .03	19.06 TO 25.40	+.25/- .03	25.41 TO 50.80	+.30/- .03	<table border="1"> <thead> <tr> <th>Approvals</th> <th>DATE</th> </tr> </thead> <tbody> <tr> <td>DRWN</td> <td></td> </tr> <tr> <td>ENG</td> <td></td> </tr> <tr> <td>CHK</td> <td></td> </tr> <tr> <td>Q.A.</td> <td></td> </tr> </tbody> </table>	Approvals	DATE	DRWN		ENG		CHK		Q.A.		<table border="1"> <thead> <tr> <th>SIZE</th> <th>CAGE NO</th> <th>DWG NO.</th> <th>REV</th> </tr> </thead> <tbody> <tr> <td>A3</td> <td></td> <td></td> <td>1</td> </tr> </tbody> </table>	SIZE	CAGE NO	DWG NO.	REV	A3			1	<table border="1"> <thead> <tr> <th>SCALE</th> <th>UNIT</th> <th>SHEET</th> </tr> </thead> <tbody> <tr> <td>3:2</td> <td>mm</td> <td>1 OF 1</td> </tr> </tbody> </table>		SCALE	UNIT	SHEET	3:2	mm	1 OF 1
	HOLE DIAMETER	TOLERANCES																																								
.35 TO 3.20	+.05/- .02																																									
3.21 TO 6.35	+.10/- .03																																									
6.36 TO 12.70	+.15/- .03																																									
12.71 TO 19.05	+.20/- .03																																									
19.06 TO 25.40	+.25/- .03																																									
25.41 TO 50.80	+.30/- .03																																									
Approvals	DATE																																									
DRWN																																										
ENG																																										
CHK																																										
Q.A.																																										
SIZE	CAGE NO	DWG NO.	REV																																							
A3			1																																							
SCALE	UNIT	SHEET																																								
3:2	mm	1 OF 1																																								