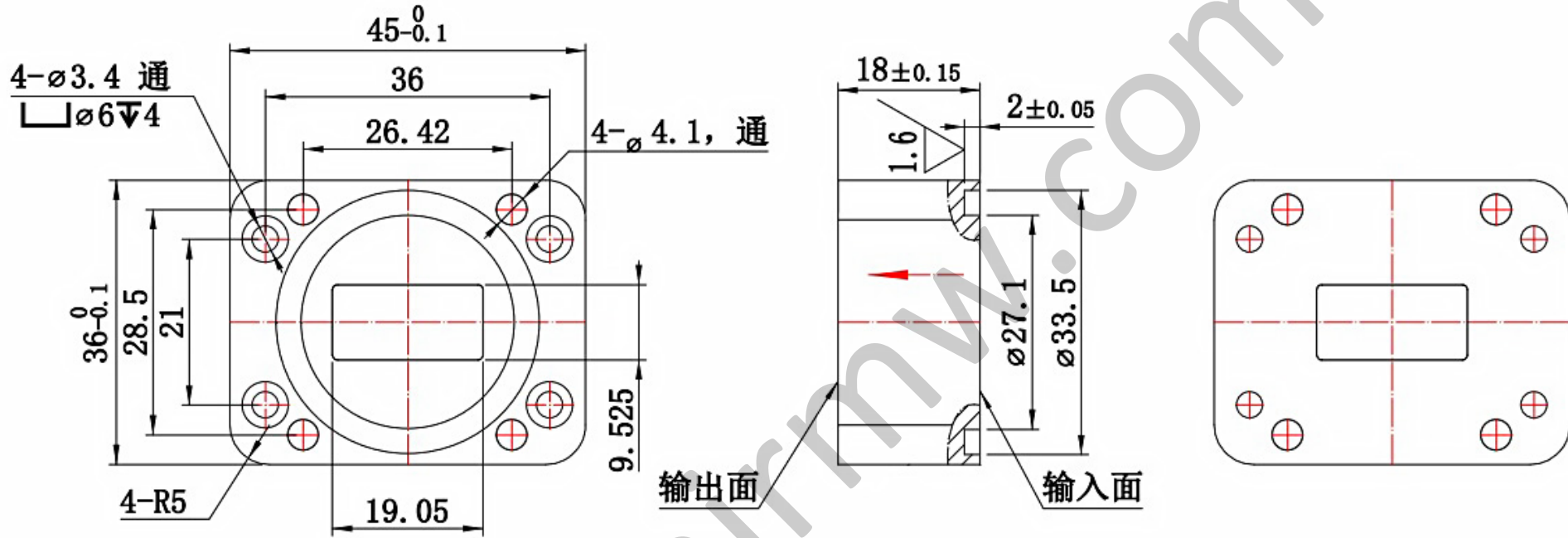


NOTES: UNLESS OTHERWISE SPECIFIED  
THIS IS A CAD GENERATED DRAWING, DO NOT REVISE MANUALLY

REVISION HISTORY					
ZONE	REV	DESCRIPTION	E.C.O.NO	DATE	APPROVED
	1	ENGINEERING RELEASE			



## LBI-1001

12.25 - 12.75GHz 波导隔离器 Waveguide Isolator

### —技术参数 Specifications—

工作频率 Frequency Range:	12.25 - 12.75GHz
驻波 VSWR:	≤1.22
插入损耗 Insertion Loss:	≤0.3dB
反向隔离 Reverse Isolation:	≥20dB
通过功率 Power:	1W
方向 Direction:	反向 Reverse
波导口 Waveguide:	BJ120
法兰 Flange:	定制法兰 Customized
工作温度 Operation Temperature:	-40~+80 °C

UNLESS OTHERWISE SPECIFIED DIMENSIONS ARE MILLIMETER TOLERANCES ARE: DECIMALS ANGLES FRACTIONS .XX±0.03 ±1' ±2/5 .XXX±0.012			莱尔微波 www.lairmw.com sales@lairmw.com		P/N: LBI-1001				
	Approvals	DATE	波导隔离器 WAVEGUIDE ISOLATOR						
HOLE DIAMETER .35 TO 3.20 3.21 TO 6.35 6.36 TO 12.70 12.71 TO 19.05 19.06 TO 25.40 25.41 TO 50.80	TOLERANCES +05/-02 +10/-03 +15/-03 +20/-03 +25/-03 +30/-03	DRWN	ENG	CHK	Q.A.	DATE			
SCALE 3:2			UNIT mm	SHEET 1 OF 1		SIZE A3	CAGE NO	DWG NO.	REV 1