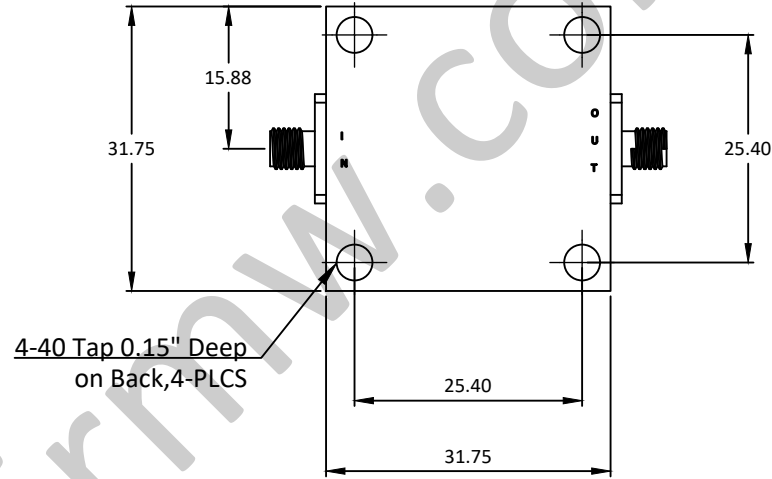
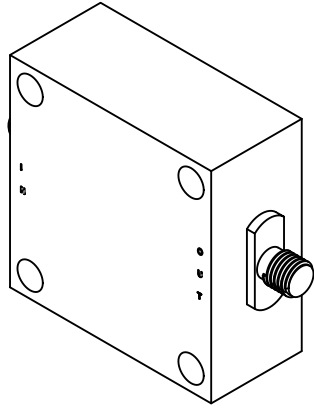
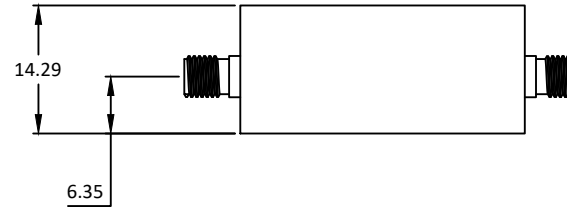


NOTES:UNLESS OTHERWISE SPECIFIED
THIS IS A CAD GENERATED DRAWING,DO NOT REVISE MANUALLY

REVISION HISTORY					
ZONE	REV	DESCRIPTION	E.C.O.NO	DATE	APPROVED
	1	ENGINEERING RELEASE			



4-40 Tap 0.15" Deep
on Back,4-PLCS



LBF-5025

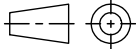

2400 - 2484MHz 带通滤波器 Band Pass Filter

—电气技术参数Electrical Specifications—

通带 Pass Band:	2400-2484MHz
中心频率Center Frequency:	2442MHz
插入损耗Insertion Loss:	1.5dB
带外抑制Rejection:	42dB@1942MHz/40dB@2942MHz
最大输入功率Maximum Input Power:	2W
群时延Group Delay:	6.5ns
输入驻波比Input VSWR:	1.3:1(Typ.)
输出驻波比Output VSWR:	1.3:1(Typ.)
工作温度Operation Temperature:	-40~+85°C
存储温度Storage Temperature:	-65~+150°C

—机械技术参数Mechanical Specification—

输入连接器Input Interface:	SMA-F
输出连接器Output Interface:	SMA-F
尺寸Size(excluding connectors):	31.75*31.75*14.29mm
重量Weight:	/

UNLESS OTHERWISE SPECIFIED DIMENSIONS ARE MILLIMETER TOLERANCES ARE: DECIMALS ANGLES FRACTIONS .XX±0.03 ±1' ±2/5 .XXX±0.012		 Approvals DATE		 www.lairmw.com sales@lairmw.com		P/N: LBF-5025	
						DRWN ENG CHK Q.A.	
HOLE DIAMETER .35 TO 3.20 3.21 TO 6.35 6.36 TO 12.70 12.71 TO 19.05 19.06 TO 25.40 25.41 TO 50.80		TOLERANCES +.05/- .02 +.10/- .03 +.15/- .03 +.20/- .03 +.25/- .03 +.30/- .03		SIZE	CAGE NO	DWG NO.	REV
				A3			1
				SCALE	UNIT	SHEET 1 OF 1	
				3:2	mm		