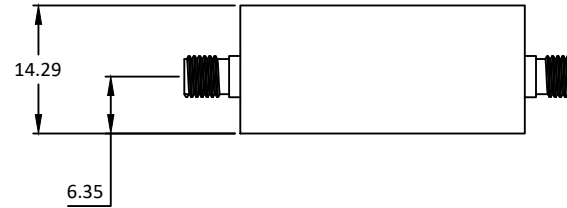
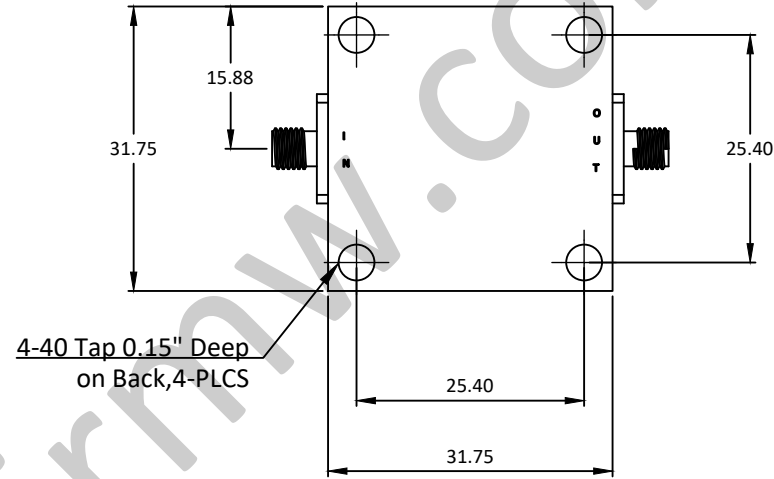
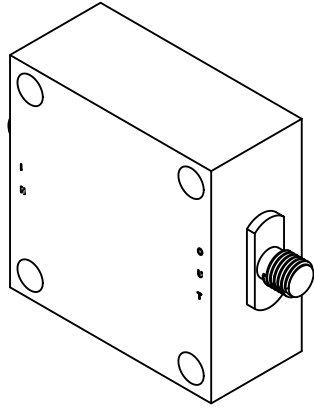


NOTES:UNLESS OTHERWISE SPECIFIED
THIS IS A CAD GENERATED DRAWING,DO NOT REVISE MANUALLY

REVISION HISTORY					
ZONE	REV	DESCRIPTION	E.C.O.NO	DATE	APPROVED
	1	ENGINEERING RELEASE			



LBF-5024

1930 - 1990MHz 带通滤波器 Band Pass Filter

—电气技术参数 **Electrical Specifications**—

通带 Pass Band:	1930-1990MHz
中心频率Center Frequency:	1960MHz
插入损耗Insertion Loss:	1.8dB
带外抑制Rejection:	35dB@1870MHz/35dB@2050MHz
最大输入功率Maximum Input Power:	+20dBm
群时延Group Delay:	8ns
输入驻波比Input VSWR:	1.8:1(Typ.)
输出驻波比Output VSWR:	1.8:1(Typ.)
工作温度Operation Temperature:	-30~+85°C
存储温度Storage Temperature:	-40~+100°C

—机械技术参数 **Mechanical Specification**—

输入连接器Input Interface:	SMA-F
输出连接器Output Interface:	SMA-F
尺寸Size(excluding connectors):	31.75*31.75*14.29mm
重量Weight:	/

UNLESS OTHERWISE SPECIFIED DIMENSIONS ARE MILLIMETER TOLERANCES ARE: DECIMALS ANGLES FRACTIONS .X±0.1 ±1' ±2/5 .XX±0.03 .XXX±0.012			 www.lairmw.com sales@lairmw.com	P/N: LBF-5024														
	<table border="1"> <tr> <td>Approvals</td> <td>DATE</td> </tr> <tr> <td>DRWN</td> <td></td> </tr> <tr> <td>ENG</td> <td></td> </tr> <tr> <td>CHK</td> <td></td> </tr> <tr> <td>Q.A.</td> <td></td> </tr> </table>	Approvals		DATE	DRWN		ENG		CHK		Q.A.		1930-1990MHz 带通滤波器 Band Pass Filter					
Approvals	DATE																	
DRWN																		
ENG																		
CHK																		
Q.A.																		
<table border="1"> <tr> <td>HOLE DIAMETER</td> <td>TOLERANCES</td> </tr> <tr> <td>.35 TO 3.20</td> <td>+.05/- .02</td> </tr> <tr> <td>3.21 TO 6.35</td> <td>+.10/- .03</td> </tr> <tr> <td>6.36 TO 12.70</td> <td>+.15/- .03</td> </tr> <tr> <td>12.71 TO 19.05</td> <td>+.20/- .03</td> </tr> <tr> <td>19.06 TO 25.40</td> <td>+.25/- .03</td> </tr> <tr> <td>25.41 TO 50.80</td> <td>+.30/- .03</td> </tr> </table>	HOLE DIAMETER	TOLERANCES	.35 TO 3.20	+.05/- .02	3.21 TO 6.35	+.10/- .03	6.36 TO 12.70	+.15/- .03	12.71 TO 19.05	+.20/- .03	19.06 TO 25.40	+.25/- .03	25.41 TO 50.80	+.30/- .03	SIZE	CAGE NO	DWG NO.	REV
HOLE DIAMETER	TOLERANCES																	
.35 TO 3.20	+.05/- .02																	
3.21 TO 6.35	+.10/- .03																	
6.36 TO 12.70	+.15/- .03																	
12.71 TO 19.05	+.20/- .03																	
19.06 TO 25.40	+.25/- .03																	
25.41 TO 50.80	+.30/- .03																	
	A3			1														
	SCALE 3:2	UNIT mm	SHEET 1 OF 1															