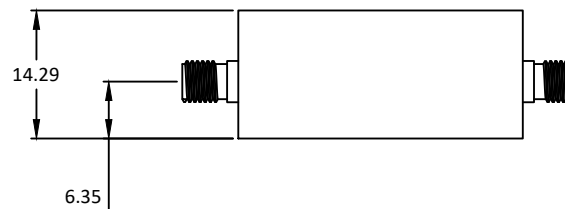
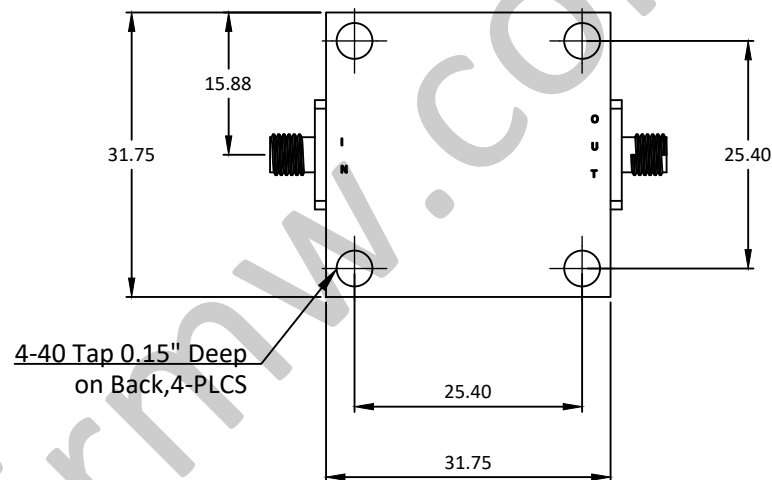
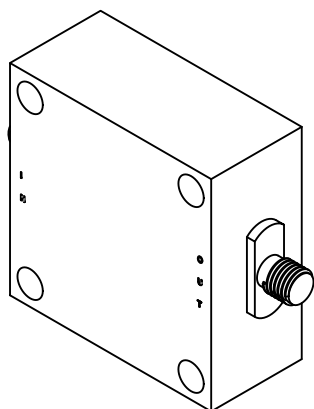


NOTES:UNLESS OTHERWISE SPECIFIED  
THIS IS A CAD GENERATED DRAWING,DO NOT REVISE MANUALLY

REVISION HISTORY					
ZONE	REV	DESCRIPTION	E.C.O.NO	DATE	APPROVED
	1	ENGINEERING RELEASE			



## LBF-5017

920 - 950MHz 带通滤波器 Band Pass Filter

### —电气技术参数Electrical Specifications—

通带 Pass Band:	920-950MHz
中心频率Center Frequency:	935MHz
插入损耗Insertion Loss:	3.5dB
带外抑制Rejection:	30dB@890MHz/47dB@980MHz
最大输入功率Maximum Input Power:	+20dBm
群时延Group Delay:	22ns
输入驻波比Input VSWR:	1.2:1
输出驻波比Output VSWR:	1.2:1
工作温度Operation Temperature:	-30~+85°C
存储温度Storage Temperature:	-40~+100°C

### —机械技术参数Mechanical Specification—

输入连接器Input Interface:	SMA-F
输出连接器Out Interface:	SMA-F
尺寸Size(excluding connectors):	31.75*31.75*14.29mm
重量Weight:	/

UNLESS OTHERWISE SPECIFIED DIMENSIONS ARE MILLIMETER TOLERANCES ARE: DECIMALS ANGLES FRACTIONS .X±0.1 ±1' ±2/5 .XX±0.03 .XXX±0.012					P/N: LBF-5017	
	Approvals: _____ DATE: _____ DRWN: _____ ENG: _____ CHK: _____ Q.A.: _____		www.lairmw.com sales@lairmw.com		920-950MHz 带通滤波器Band Pass Filter	
HOLE DIAMETER .35 TO 3.20 3.21 TO 6.35 6.36 TO 12.70 12.71 TO 19.05 19.06 TO 25.40 25.41 TO 50.80	TOLERANCES +.05/-02 +.10/-03 +.15/-03 +.20/-03 +.25/-03 +.30/-03	SIZE A3	CAGE NO	DWG NO.	REV 1	
		SCALE 3:2	UNIT mm	SHEET 1 OF 1		