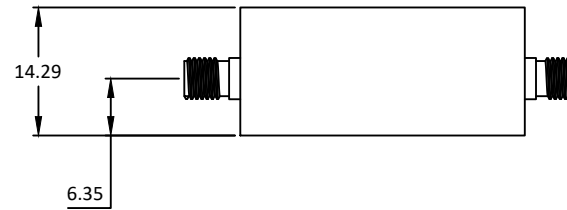
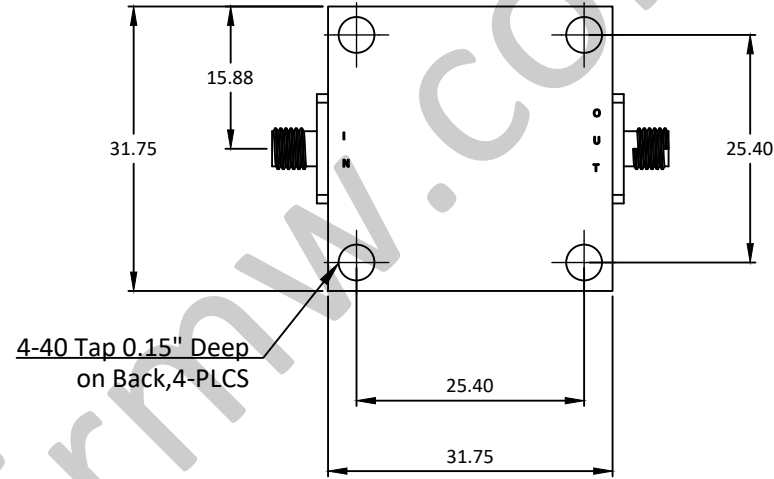
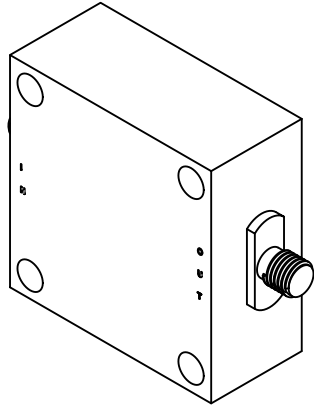


NOTES:UNLESS OTHERWISE SPECIFIED  
THIS IS A CAD GENERATED DRAWING,DO NOT REVISE MANUALLY

REVISION HISTORY					
ZONE	REV	DESCRIPTION	E.C.O.NO	DATE	APPROVED
	1	ENGINEERING RELEASE			



## LBF-5009

260 - 310MHz 带通滤波器 Band Pass Filter

### —电气技术参数Electrical Specifications—

通带 Pass Band:	260 - 310MHz
中心频率Center Frequency:	280MHz
插入损耗Insertion Loss:	2.6dB
带外抑制Rejection:	45dB@185MHz/45dB@420MHz
最大输入功率Maximum Input Power:	0.5W
群时延Group Delay:	12ns
输入驻波比Input VSWR:	1.6:1
输出驻波比Output VSWR:	1.6:1
工作温度Operation Temperature:	-40 ~ +85°C
存储温度Storage Temperature:	-65 ~ +150°C

### —机械技术参数Mechanical Specification—

输入连接器Input Interface:	SMA-F
输出连接器Output Interface:	SMA-F
尺寸Size(excluding connectors):	31.75*31.75*14.29mm
重量Weight:	/

UNLESS OTHERWISE SPECIFIED DIMENSIONS ARE MILLIMETER TOLERANCES ARE: DECIMALS ANGLES FRACTIONS .X±0.1 ±1' ±2/5 .XX±0.03 .XXX±0.012			 www.lairmw.com sales@lairmw.com	P/N: LBF-5009	
	Approvals	DATE		260-310MHz 带通滤波器Band Pass Filter	
HOLE DIAMETER .35 TO 3.20 3.21 TO 6.35 6.36 TO 12.70 12.71 TO 19.05 19.06 TO 25.40 25.41 TO 50.80	TOLERANCES +.05/-02 +.10/-03 +.15/-03 +.20/-03 +.25/-03 +.30/-03	DRWN	ENG	CHK	Q.A.
		SIZE	A3	CAGE NO	DWG NO.
		SCALE	3:2	UNIT	mm
					REV 1
		SHEET 1 OF 1			