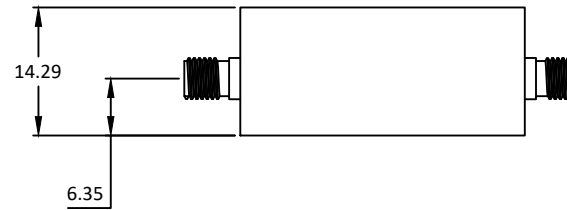
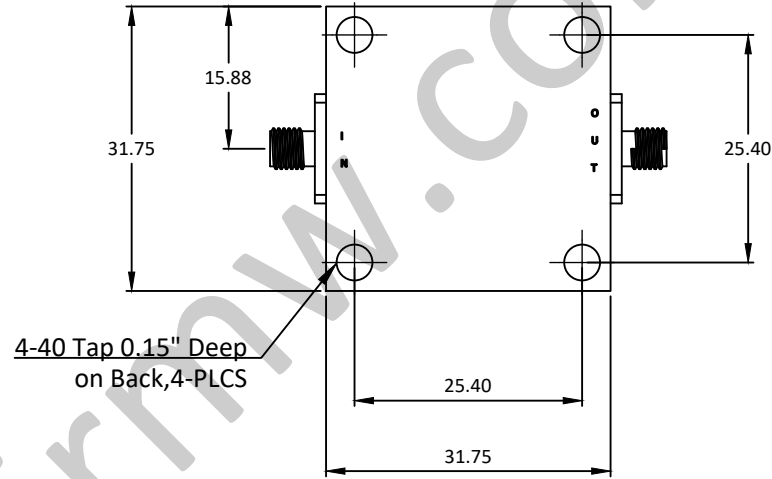
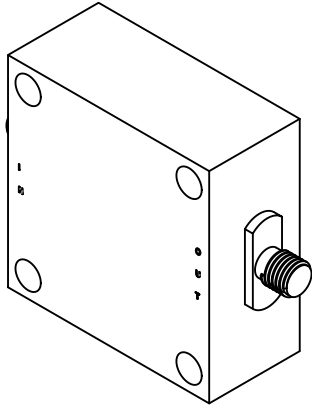


NOTES:UNLESS OTHERWISE SPECIFIED  
THIS IS A CAD GENERATED DRAWING,DO NOT REVISE MANUALLY

REVISION HISTORY					
ZONE	REV	DESCRIPTION	E.C.O.NO	DATE	APPROVED
	1	ENGINEERING RELEASE			



## LBF-5007

175 - 237MHz 带通滤波器 Band Pass Filter

### —电气技术参数Electrical Specifications—

通带 Pass Band:	175 - 237MHz
中心频率Center Frequency:	204MHz
插入损耗Insertion Loss:	2.5dB
带外抑制Rejection:	45dB@115MHz/44dB@350MHz
最大输入功率Maximum Input Power:	0.5W
群时延Group Delay:	12ns
输入驻波比Input VSWR:	1.4:1
输出驻波比Output VSWR:	1.4:1
工作温度Operation Temperature:	-40 ~ +85°C
存储温度Storage Temperature:	-65 ~ +150°C

### —机械技术参数Mechanical Specification—

输入连接器Input Interface:	SMA-F
输出连接器Output Interface:	SMA-F
尺寸Size(excluding connectors):	31.75*31.75*14.29mm
重量Weight:	/

UNLESS OTHERWISE SPECIFIED DIMENSIONS ARE MILLIMETER TOLERANCES ARE: DECIMALS ANGLES FRACTIONS .XX±0.03 ±1' ±2/5 .XXX±0.012					P/N: LBF-5007															
							Approvals	DATE												
<table border="1"> <thead> <tr> <th>HOLE DIAMETER</th> <th>TOLERANCES</th> </tr> </thead> <tbody> <tr> <td>.35 TO 3.20</td> <td>+.05/- .02</td> </tr> <tr> <td>3.21 TO 6.35</td> <td>+.10/- .03</td> </tr> <tr> <td>6.36 TO 12.70</td> <td>+.15/- .03</td> </tr> <tr> <td>12.71 TO 19.05</td> <td>+.20/- .03</td> </tr> <tr> <td>19.06 TO 25.40</td> <td>+.25/- .03</td> </tr> <tr> <td>25.41 TO 50.80</td> <td>+.30/- .03</td> </tr> </tbody> </table>	HOLE DIAMETER	TOLERANCES	.35 TO 3.20	+.05/- .02	3.21 TO 6.35	+.10/- .03	6.36 TO 12.70	+.15/- .03	12.71 TO 19.05	+.20/- .03	19.06 TO 25.40	+.25/- .03	25.41 TO 50.80	+.30/- .03	DRWN		175-237MHz 带通滤波器Band Pass Filter			
	HOLE DIAMETER	TOLERANCES																		
	.35 TO 3.20	+.05/- .02																		
	3.21 TO 6.35	+.10/- .03																		
6.36 TO 12.70	+.15/- .03																			
12.71 TO 19.05	+.20/- .03																			
19.06 TO 25.40	+.25/- .03																			
25.41 TO 50.80	+.30/- .03																			
ENG																				
CHK		SIZE	A3	CAGE NO	DWG NO.	REV	1													
Q.A.		SCALE	3:2	UNIT	mm	SHEET 1 OF 1														