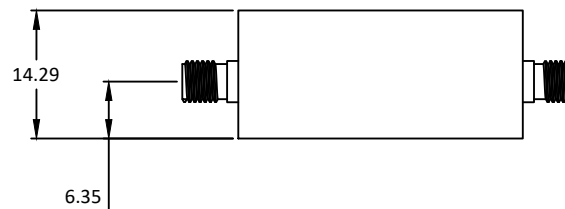
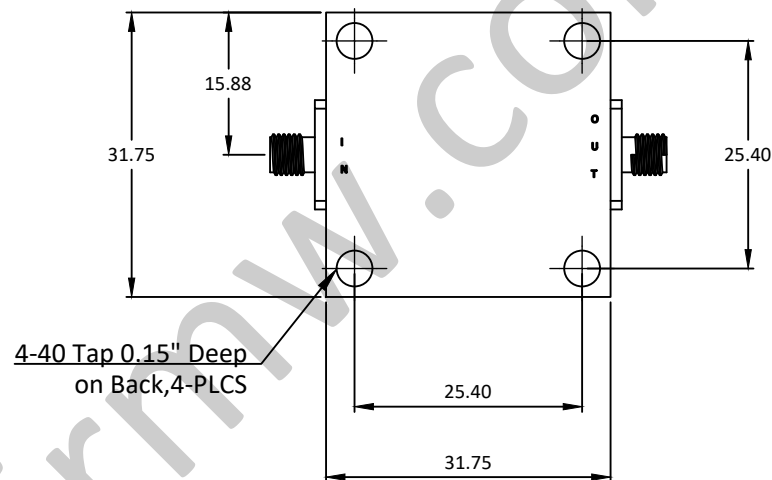
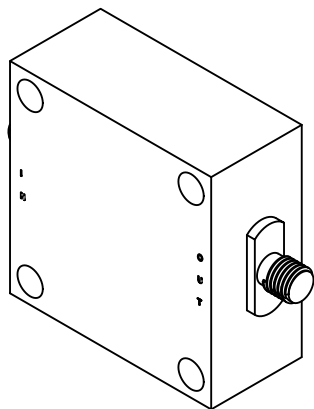


NOTES:UNLESS OTHERWISE SPECIFIED
THIS IS A CAD GENERATED DRAWING,DO NOT REVISE MANUALLY

REVISION HISTORY					
ZONE	REV	DESCRIPTION	E.C.O.NO	DATE	APPROVED
	1	ENGINEERING RELEASE			



LBF-5001

60 - 90MHz 带通滤波器 Band Pass Filter
—电气技术参数Electrical Specifications—

通带 Pass Band:	60 - 90MHz
中心频率Center Frequency:	75MHz
插入损耗Insertion Loss:	1.8dB
带外抑制Rejection:	47dB@30MHz/45dB@155MHz
最大输入功率Maximum Input Power:	0.1W
群时延Group Delay:	22ns
输入驻波比Input VSWR:	1.3:1
输出驻波比Output VSWR:	1.3:1
工作温度Operation Temperature:	-40 ~ +85℃
存储温度Storage Temperature:	-65 ~ +150℃

—机械技术参数Mechanical Specification—

输入连接器Input Interface:	SMA-F
输出连接器Output Interface:	SMA-F
尺寸Size(excluding connectors):	31.75*31.75*14.29mm
重量Weight:	/

UNLESS OTHERWISE SPECIFIED DIMENSIONS ARE MILLIMETER TOLERANCES ARE: DECIMALS ANGLES FRACTIONS .X±0.1 ±1' ±2/5 .XX±0.03 .XXX±0.012				P/N: LBF-5001														
		www.lairmw.com sales@lairmw.com																
<table border="1"> <thead> <tr> <th>Approvals</th> <th>DATE</th> </tr> </thead> <tbody> <tr> <td>DRWN</td> <td></td> </tr> <tr> <td>ENG</td> <td></td> </tr> <tr> <td>CHK</td> <td></td> </tr> <tr> <td>Q.A.</td> <td></td> </tr> </tbody> </table>	Approvals	DATE	DRWN		ENG		CHK		Q.A.		60-90MHz 带通滤波器Band Pass Filter							
	Approvals	DATE																
DRWN																		
ENG																		
CHK																		
Q.A.																		
<table border="1"> <thead> <tr> <th>HOLE DIAMETER</th> <th>TOLERANCES</th> </tr> </thead> <tbody> <tr> <td>.35 TO 3.20</td> <td>+.05/-02</td> </tr> <tr> <td>3.21 TO 6.35</td> <td>+.10/-03</td> </tr> <tr> <td>6.36 TO 12.70</td> <td>+.15/-03</td> </tr> <tr> <td>12.71 TO 19.05</td> <td>+.20/-03</td> </tr> <tr> <td>19.06 TO 25.40</td> <td>+.25/-03</td> </tr> <tr> <td>25.41 TO 50.80</td> <td>+.30/-03</td> </tr> </tbody> </table>	HOLE DIAMETER	TOLERANCES	.35 TO 3.20	+.05/-02	3.21 TO 6.35	+.10/-03	6.36 TO 12.70	+.15/-03	12.71 TO 19.05	+.20/-03	19.06 TO 25.40	+.25/-03	25.41 TO 50.80	+.30/-03	SIZE A3	CAGE NO	DWG NO.	REV 1
HOLE DIAMETER	TOLERANCES																	
.35 TO 3.20	+.05/-02																	
3.21 TO 6.35	+.10/-03																	
6.36 TO 12.70	+.15/-03																	
12.71 TO 19.05	+.20/-03																	
19.06 TO 25.40	+.25/-03																	
25.41 TO 50.80	+.30/-03																	
SCALE 3:2		UNIT mm	SHEET 1 OF 1															