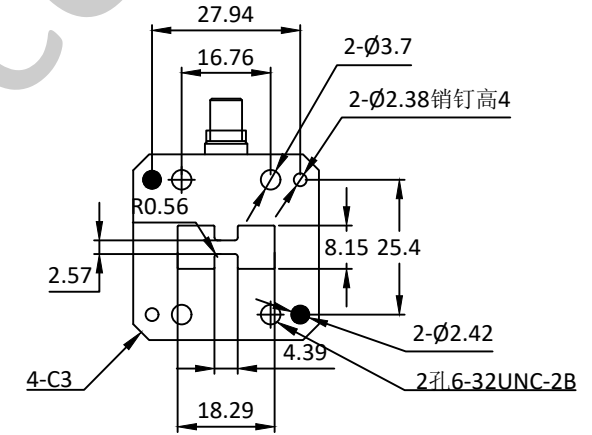
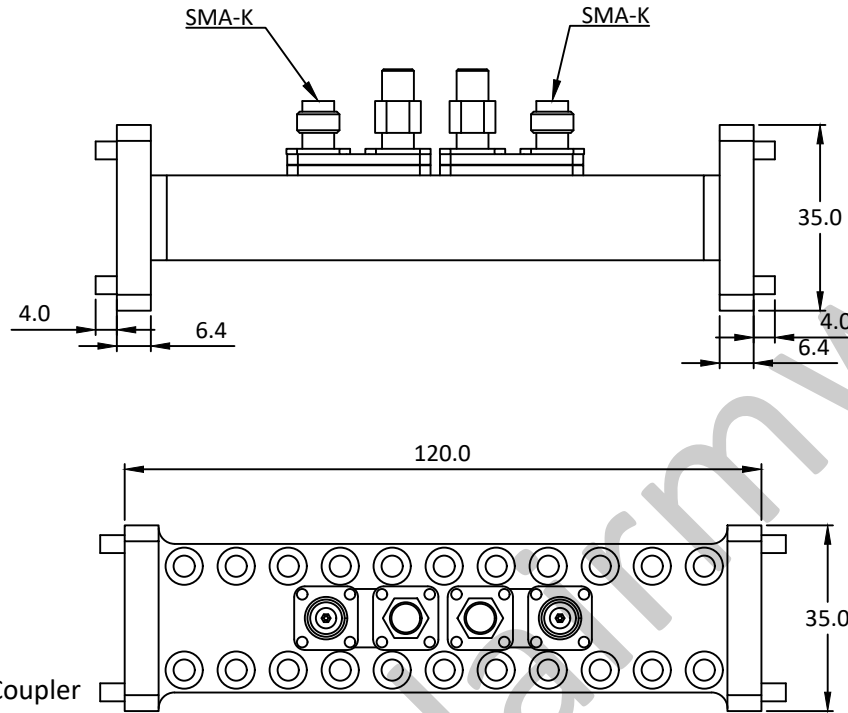


NOTES: UNLESS OTHERWISE SPECIFIED
THIS IS A CAD GENERATED DRAWING, DO NOT REVISE MANUALLY

REVISION HISTORY					
ZONE	REV	DESCRIPTION	E.C.O.NO	DATE	APPROVED
	1	ENGINEERING RELEASE			



LBC-0011

6 - 18GHz 波导耦合器 Waveguide Coupler

—电气技术参数 Electrical Specifications—

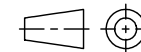
工作频率 Frequency Range:	6 - 18GHz
耦合度 Coupling:	40±2dB
方向性 Directivity:	≥15dB
主路驻波 Primary VSWR:	≤1.2
副路驻波 Secondary VSWR:	≤1.5
平均功率 CW:	/
工作温度 Operation Temperature:	/

—机械技术参数 Mechanical Specification—

接口 Connectors:	/
法兰 Flange:	FPWRD650

UNLESS OTHERWISE SPECIFIED
DIMENSIONS ARE MILLIMETER
TOLERANCES ARE:
DECIMALS ANGLES FRACTIONS
.XX±0.1 ±1' ±2/5
.XXX±0.03
.XXX±0.012

HOLE DIAMETER	TOLERANCES
.35 TO 3.20	+05/-02
3.21 TO 6.35	+10/-03
6.36 TO 12.70	+15/-03
12.71 TO 19.05	+20/-03
19.06 TO 25.40	+25/-03
25.41 TO 50.80	+30/-03



Approvals

DATE

DRWN

ENG

CHK

Q.A.



www.lairmw.com sales@lairmw.com

P/N: LBC-0011

波导耦合器 WAVEGUIDE COUPLER

SIZE	CAGE NO	DWG NO.	REV
A3			1
SCALE 3:2	UNIT mm	SHEET 1 OF 1	