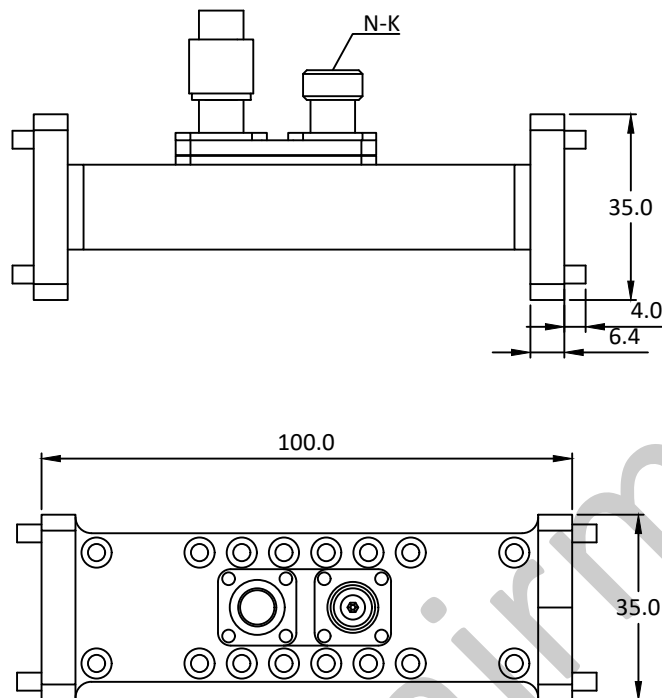


NOTES: UNLESS OTHERWISE SPECIFIED  
THIS IS A CAD GENERATED DRAWING, DO NOT REVISE MANUALLY

REVISION HISTORY					
ZONE	REV	DESCRIPTION	E.C.O.NO	DATE	APPROVED
	1	ENGINEERING RELEASE			



## LBC-0010

### 6.5 - 18GHz 波导耦合器 Waveguide Coupler

#### —电气技术参数 Electrical Specifications—

工作频率 Frequency Range:	6.5 - 18GHz
耦合度 Coupling:	40±2dB
方向性 Directivity:	≥15dB
主路驻波 Primary VSWR:	≤1.2
副路驻波 Secondary VSWR:	≤1.5
平均功率 CW:	/
工作温度 Operation Temperature:	/

#### —机械技术参数 Mechanical Specification—

接口 Connectors:	/
法兰 Flange:	FPWRD650

UNLESS OTHERWISE SPECIFIED DIMENSIONS ARE MILLIMETER TOLERANCES ARE: DECIMALS ANGLES FRACTIONS .XX±0.1 ±1' ±2/5 .XXX±0.03 .XXX±0.012				P/N: LBC-0010			
		www.lairm.com sales@lairm.com		波导耦合器 WAVEGUIDE COUPLER			
HOLE DIAMETER .35 TO 3.20 3.21 TO 6.35 6.36 TO 12.70 12.71 TO 19.05 19.06 TO 25.40 25.41 TO 50.80	TOLERANCES +.05/-0.2 +.10/-0.3 +.15/-0.3 +.20/-0.3 +.25/-0.3 +.30/-0.3	Approvals	DATE	SIZE A3	CAGE NO	DWG NO.	REV 1
DRWN ENG CHK Q.A.	SCALE 3:2	UNIT mm	SHEET 1 OF 1				