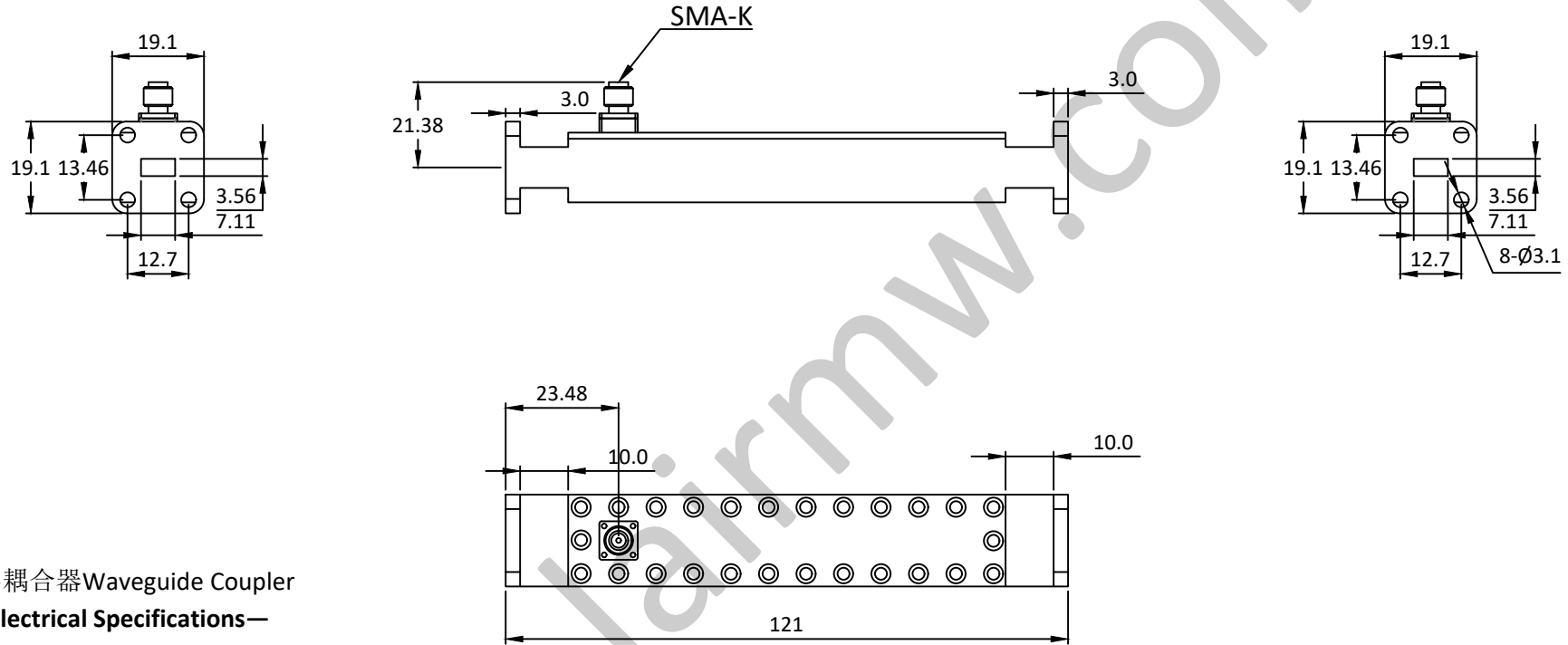


NOTES: UNLESS OTHERWISE SPECIFIED
THIS IS A CAD GENERATED DRAWING, DO NOT REVISE MANUALLY

REVISION HISTORY					
ZONE	REV	DESCRIPTION	E.C.O.NO	DATE	APPROVED
	1	ENGINEERING RELEASE			



LBC-0007

26.3 - 40GHz 波导耦合器 Waveguide Coupler

—电气技术参数 Electrical Specifications—

工作频率 Frequency Range:	26.3 - 40GHz
耦合度 Coupling:	40±1dB
方向性 Directivity:	≥25dB
主路驻波 Primary VSWR:	≤1.1
副路驻波 Secondary VSWR:	≤1.3
平均功率 CW:	/
工作温度 Operation Temperature:	/

—机械技术参数 Mechanical Specification—

接口 Connectors:	2.92-K
法兰 Flange:	FBP320

UNLESS OTHERWISE SPECIFIED DIMENSIONS ARE MILLIMETER TOLERANCES ARE: DECIMALS ANGLES FRACTIONS .XX±0.03 ±1' ±2/5 .XXX±0.012				 www.lairmw.com sales@lairmw.com		P/N: LBC-0007																													
<table border="1"> <tr> <td>DRWN</td> <td></td> </tr> <tr> <td>ENG</td> <td></td> </tr> <tr> <td>CHK</td> <td></td> </tr> <tr> <td>Q.A.</td> <td></td> </tr> </table>		DRWN		ENG		CHK		Q.A.		<table border="1"> <tr> <td>Approvals</td> <td>DATE</td> </tr> </table>		Approvals	DATE	波导耦合器 WAVEGUIDE COUPLER																					
DRWN																																			
ENG																																			
CHK																																			
Q.A.																																			
Approvals	DATE																																		
<table border="1"> <tr> <td>HOLE DIAMETER</td> <td>TOLERANCES</td> </tr> <tr> <td>.35 TO 3.20</td> <td>+05/-02</td> </tr> <tr> <td>3.21 TO 6.35</td> <td>+10/-03</td> </tr> <tr> <td>6.36 TO 12.70</td> <td>+15/-03</td> </tr> <tr> <td>12.71 TO 19.05</td> <td>+20/-03</td> </tr> <tr> <td>19.06 TO 25.40</td> <td>+25/-03</td> </tr> <tr> <td>25.41 TO 50.80</td> <td>+30/-03</td> </tr> </table>		HOLE DIAMETER	TOLERANCES	.35 TO 3.20	+05/-02	3.21 TO 6.35	+10/-03	6.36 TO 12.70	+15/-03	12.71 TO 19.05	+20/-03	19.06 TO 25.40	+25/-03	25.41 TO 50.80	+30/-03	<table border="1"> <tr> <td>SIZE</td> <td>CAGE NO</td> <td>DWG NO.</td> <td>REV</td> </tr> <tr> <td>A3</td> <td></td> <td></td> <td>1</td> </tr> </table>		SIZE	CAGE NO	DWG NO.	REV	A3			1	<table border="1"> <tr> <td>SCALE</td> <td>UNIT</td> <td colspan="2">SHEET 1 OF 1</td> </tr> <tr> <td>3:2</td> <td>mm</td> <td colspan="2"></td> </tr> </table>		SCALE	UNIT	SHEET 1 OF 1		3:2	mm		
HOLE DIAMETER	TOLERANCES																																		
.35 TO 3.20	+05/-02																																		
3.21 TO 6.35	+10/-03																																		
6.36 TO 12.70	+15/-03																																		
12.71 TO 19.05	+20/-03																																		
19.06 TO 25.40	+25/-03																																		
25.41 TO 50.80	+30/-03																																		
SIZE	CAGE NO	DWG NO.	REV																																
A3			1																																
SCALE	UNIT	SHEET 1 OF 1																																	
3:2	mm																																		