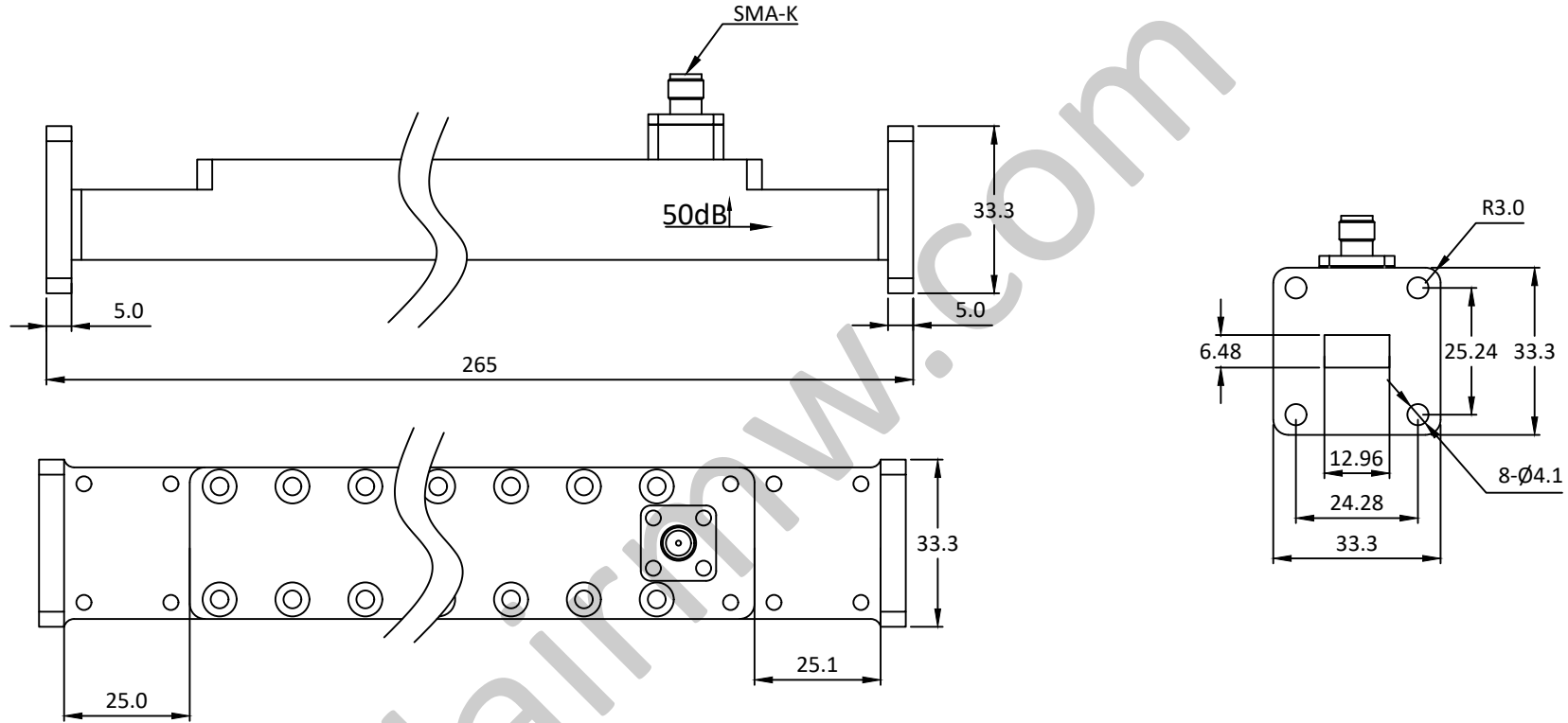


NOTES: UNLESS OTHERWISE SPECIFIED
THIS IS A CAD GENERATED DRAWING, DO NOT REVISE MANUALLY

REVISION HISTORY					
ZONE	REV	DESCRIPTION	E.C.O.NO	DATE	APPROVED
	1	ENGINEERING RELEASE			



LBC-0004

14.5 - 22GHz 波导耦合器 Waveguide Coupler

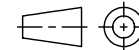
—电气技术参数 Electrical Specifications—

工作频率 Frequency Range: 14.5 - 22GHz
 耦合度 Coupling: 45±1dB
 方向性 Directivity: ≥30dB
 主路驻波 Primary VSWR: ≤1.1
 副路驻波 Secondary VSWR: ≤1.25
 平均功率 CW: /
 工作温度 Operation Temperature: /

—机械技术参数 Mechanical Specification—

接口 Connectors: /
 法兰 Flange: FBP180

UNLESS OTHERWISE SPECIFIED
DIMENSIONS ARE MILLIMETER
TOLERANCES ARE:
DECIMALS ANGLES FRACTIONS
.XX±0.03 ±1' ±2/5
.XXX±0.012



Approvals

DATE

DRWN

ENG

CHK

Q.A.

莱尔微波
Laird Microwave
www.lairmw.com sales@lairmw.com

P/N: LBC-0004

波导耦合器 WAVEGUIDE COUPLER

SIZE
A3

CAGE NO

DWG NO.

REV
1

SCALE
3:2

UNIT
mm

SHEET 1 OF 1

HOLE DIAMETER
.35 TO 3.20
3.21 TO 6.35
6.36 TO 12.70
12.71 TO 19.05
19.06 TO 25.40
25.41 TO 50.80

TOLERANCES
+05/-02
+10/-03
+15/-03
+20/-03
+25/-03
+30/-03