

NOTES:UNLESS OTHERWISE SPECIFIED
THIS IS A CAD GENERATED DRAWING,DO NOT REVISE MANUALLY

REVISION HISTORY					
ZONE	REV	DESCRIPTION	E.C.O.NO	DATE	APPROVED
	1	ENGINEERING RELEASE			

LAP-5141

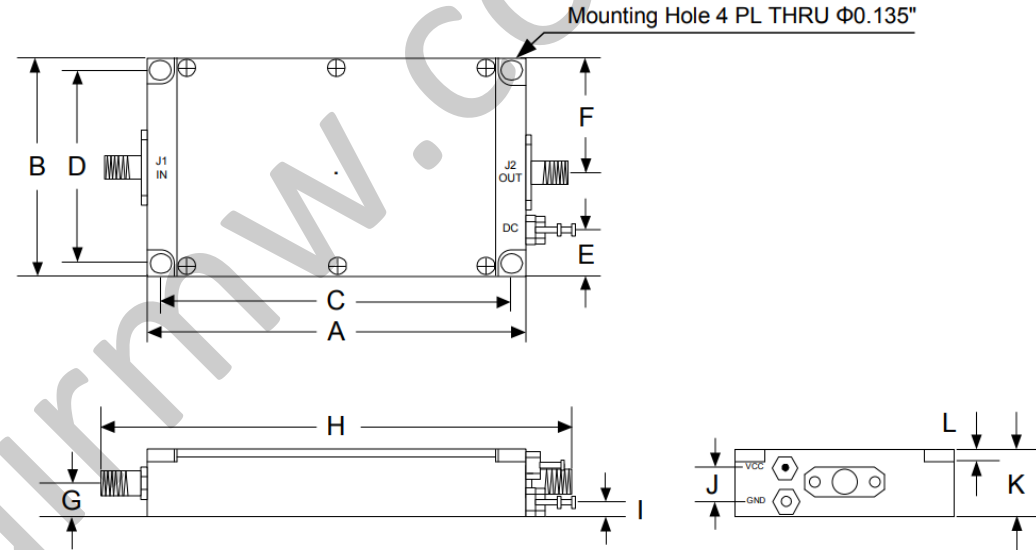
902 – 928 MHz 10W 功率放大器 Power Amplifier

—电气技术参数 Electrical Specifications—

频率范围 Frequency Range:	902 – 928 MHz
增益 Gain:	40dB
输出 P _{1dB} Output P _{1dB} :	+40dBm
输出功率三阶截断点 OIP3:	+50dBm
输入驻波比 Input VSWR:	1.2:1
输出驻波比 Output VSWR:	/
直流偏置电压 DC Supply Voltage:	+12V
直流偏置电流 DC Supply Current:	2850mA
工作温度 Operation Temperature:	-30 ~ +65°C
存储温度 Storage Temperature:	-55 ~ +100°C

—机械技术参数 Mechanical Specifications—

输入连接器 Input Interface:	SMA-F
输出连接器 Output Interface:	SMA-F
尺寸 Size (excluding connectors):	/
重量 Weight:	/



	A	B	C	D	E	F	G	H	I
Inch	3.000	2.000	2.750	1.750	0.500	1.000	0.300	3.750	0.125
mm	76.20	50.80	69.85	44.45	12.70	25.40	7.62	95.25	3.18
	J	K	L						
Inch	0.300	0.625	0.150						
mm	7.62	15.88	3.81						

UNLESS OTHERWISE SPECIFIED DIMENSIONS ARE MILLIMETER TOLERANCES ARE: DECIMALS ANGLES FRACTIONS .XX±0.03 ±1' ±2/5 .XXX±0.012		 www.lairmw.com sales@lairmw.com	P/N: LAP-5141			
			902 - 928MHz 功率放大器 Power Amplifier 增益 Gain 40dB			
HOLE DIAMETER .35 TO 3.20 3.21 TO 6.35 6.36 TO 12.70 12.71 TO 19.05 19.06 TO 25.40 25.41 TO 50.80	TOLERANCES +.05/- .02 +.10/- .03 +.15/- .03 +.20/- .03 +.25/- .03 +.30/- .03	DRWN	SIZE A3	CAGE NO	DWG NO.	REV 1
		ENG	SCALE 3:2	UNIT mm	SHEET 1 OF 1	
		CHK				
		Q.A.				