

NOTES:UNLESS OTHERWISE SPECIFIED
THIS IS A CAD GENERATED DRAWING,DO NOT REVISE MANUALLY

REVISION HISTORY					
ZONE	REV	DESCRIPTION	E.C.O.NO	DATE	APPROVED
	1	ENGINEERING RELEASE			

LAP-5131

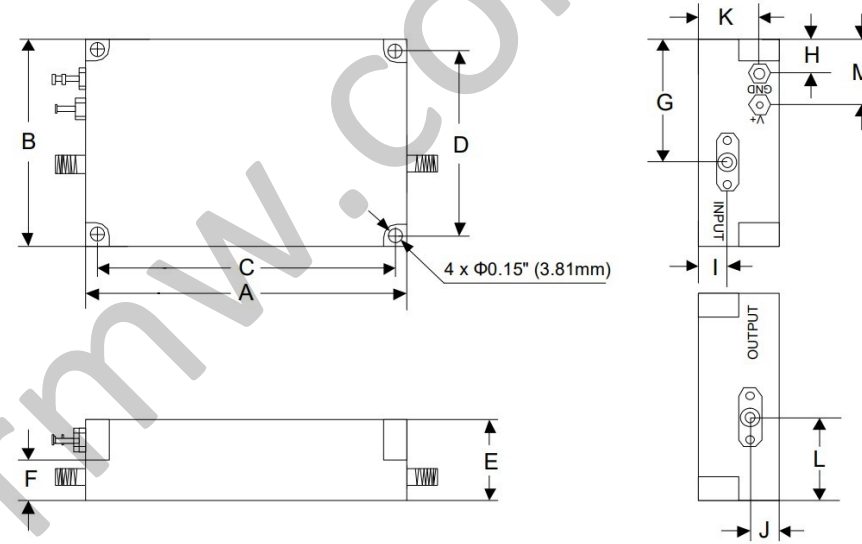
1 – 14 GHz 4W 功率放大器 Power Amplifier

—电气技术参数 Electrical Specifications—

频率范围 Frequency Range:	1 – 14 GHz
增益 Gain:	50dB
输出 P _{3dB} Output P _{3dB} :	/
输出功率三阶截断点 OIP3:	+40dBm
输入驻波比 Input VSWR:	1.5:1
输出驻波比 Output VSWR:	/
直流偏置电压 DC Supply Voltage:	+24V
直流偏置电流 DC Supply Current:	1700mA
工作温度 Operation Temperature:	-20 ~ +65°C
存储温度 Storage Temperature:	-55 ~ +125°C

—机械技术参数 Mechanical Specifications—

输入连接器 Input Interface:	SMA-F
输出连接器 Output Interface:	SMA-F
尺寸 Size (excluding connectors):	/
重量 Weight:	/



Mounting screws recommended to use hex socket head cap #6x3/4"

	A	B	C	D	E	F	G	H	I
Inch	4.00	2.50	3.70	2.20	1.05	0.54	1.40	0.30	0.30
mm	101.60	63.50	93.98	55.88	26.67	13.72	35.56	7.62	7.62
	J	K	L	M					
Inch	0.30	0.75	1.10	0.70					
mm	7.62	19.05	27.94	17.78					

UNLESS OTHERWISE SPECIFIED DIMENSIONS ARE MILLIMETER TOLERANCES ARE: DECIMALS ANGLES FRACTIONS .XX±0.1 ±1' ±2/5 .XX±0.03 .XXX±0.012		 www.lairmw.com sales@lairmw.com	P/N: LAP-5131	
			1 - 14GHz 功率放大器 Power Amplifier 增益 Gain 50dB	
HOLE DIAMETER .35 TO 3.20 3.21 TO 6.35 6.36 TO 12.70 12.71 TO 19.05 19.06 TO 25.40 25.41 TO 50.80	TOLERANCES +.05/- .02 +.10/- .03 +.15/- .03 +.20/- .03 +.25/- .03 +.30/- .03	DRWN	Approval	DATE
		ENG		
		CHK		
		Q.A.		
SIZE A3	CAGE NO	DWG NO.	REV 1	
SCALE 3:2	UNIT mm	SHEET 1 OF 1		