

NOTES:UNLESSOTHERWISE SPECIFIED  
THIS IS A CAD GENERATED DRAWING,DO NOT REVISE MANUALLY

| REVISION HISTORY |     |                     |          |      |          |
|------------------|-----|---------------------|----------|------|----------|
| ZONE             | REV | DESCRIPTION         | E.C.O.NO | DATE | APPROVED |
|                  | 1   | ENGINEERING RELEASE |          |      |          |

## LAP-5125

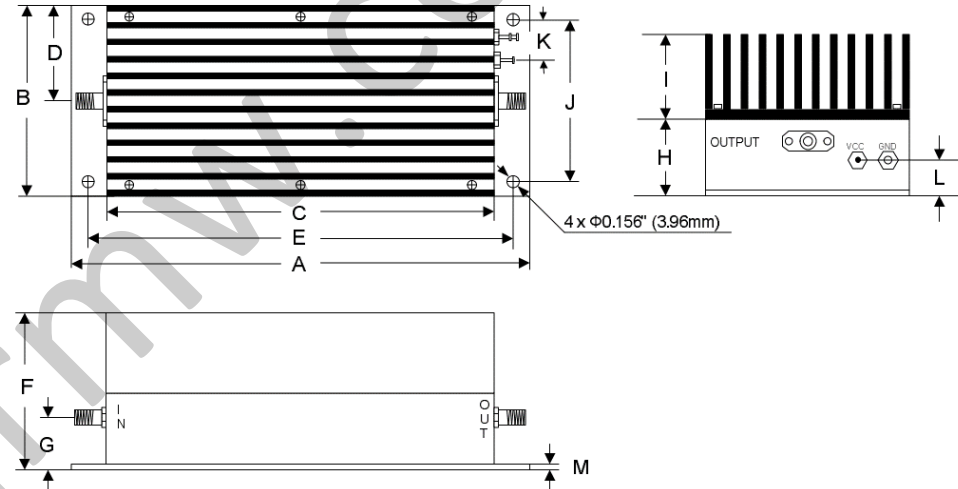
1800 – 2000 MHz 10W 功率放大器 Power Amplifier

### —电气技术参数 Electrical Specifications—

|   |                 |
|---|-----------------|
| 频率范围 Frequency Range:                         | 1800 – 2000 MHz |
| 增益 Gain:                                      | 30dB            |
| 输出 P <sub>1dB</sub> Output P <sub>1dB</sub> : | +40dBm          |
| 输出功率三阶截断点 OIP3:                               | +48dBm          |
| 输入驻波比 Input VSWR:                             | 1.2:1           |
| 输出驻波比 Output VSWR:                            | 1.4:1           |
| 直流偏置电压 DC Supply Voltage:                     | +28V            |
| 直流偏置电流 DC Supply Current:                     | 1550mA          |
| 工作温度 Operation Temperature:                   | -30 ~ +65°C     |
| 存储温度 Storage Temperature:                     | -55 ~ +100°C    |

### —机械技术参数 Mechanical Specifications—

|                                 |       |
|---------------------------------|-------|
| 输入连接器 Input Interface:          | SMA-F |
| 输出连接器 Output Interface:         | SMA-F |
| 尺寸 Size (excluding connectors): | /     |
| 重量 Weight:                      | /     |



|      | A      | B     | C      | D     | E      | F     | G     | H     | I     |
|------|--------|-------|--------|-------|--------|-------|-------|-------|-------|
| Inch | 7.000  | 3.250 | 6.000  | 1.625 | 6.500  | 2.000 | 0.650 | 1.000 | 1.000 |
| mm   | 177.80 | 82.55 | 152.40 | 41.28 | 165.10 | 50.80 | 16.51 | 25.40 | 25.40 |
|      | J      | K     | L      | M     |        |       |       |       |       |
| Inch | 2.750  | 0.625 | 0.450  | 0.090 |        |       |       |       |       |
| mm   | 69.85  | 15.88 | 11.43  | 2.29  |        |       |       |       |       |

|  |  |      |  |      |  |            |              |         |          |
|--|--|------|--|------|--|------------|--------------|---------|----------|
| UNLESS OTHERWISE SPECIFIED<br>DIMENSIONS ARE MILLIMETER<br>TOLERANCES ARE:<br>DECIMALS ANGLES FRACTIONS<br>.XX±0.03 ±1' ±2/5<br>.XXX±0.012 |  |      | 莱尔微波<br>Laird Microwave<br>www.lairmw.com sales@lairmw.com |      | P/N: LAP-5125  |            |              |         |          |
|  |  |      | Approvals  | DATE | 1800 - 2000MHz 功率放大器 Power Amplifier<br>增益 Gain 40dB |            |              |         |          |
| HOLE DIAMETER<br>.35 TO 3.20<br>3.21 TO 6.35<br>6.36 TO 12.70<br>12.71 TO 19.05<br>19.06 TO 25.40<br>25.41 TO 50.80                        | TOLERANCES<br>+.05/- .02<br>+.10/- .03<br>+.15/- .03<br>+.20/- .03<br>+.25/- .03<br>+.30/- .03 | DRWN | ENG  | CHK  | Q.A.   | SIZE<br>A3 | CAGE NO      | DWG NO. | REV<br>1 |
| SCALE 3:2  |  |      |  |      |  | UNIT mm    | SHEET 1 OF 1 |         |          |