

NOTES:UNLESSOTHERWISE SPECIFIED
THIS IS A CAD GENERATED DRAWING,DO NOT REVISE MANUALLY

| REVISION HISTORY | | | | | |
|------------------|-----|---------------------|----------|------|----------|
| ZONE | REV | DESCRIPTION | E.C.O.NO | DATE | APPROVED |
| | 1 | ENGINEERING RELEASE | | | |

LAP-5121

750 – 950 MHz 10W 功率放大器 Power Amplifier

—电气技术参数 Electrical Specifications—

频率范围 Frequency Range: 750 – 950 MHz

增益 Gain: 40dB

输出 P_{1dB} Output P_{1dB}: /

输出功率三阶截断点 OIP₃: /

输入驻波比 Input VSWR: 1.4:1

输出驻波比 Output VSWR: /

直流偏置电压 DC Supply Voltage: +12V

直流偏置电流 DC Supply Current: 2750mA

工作温度 Operation Temperature: -30 ~ +65°C

存储温度 Storage Temperature: -55 ~ +100°C

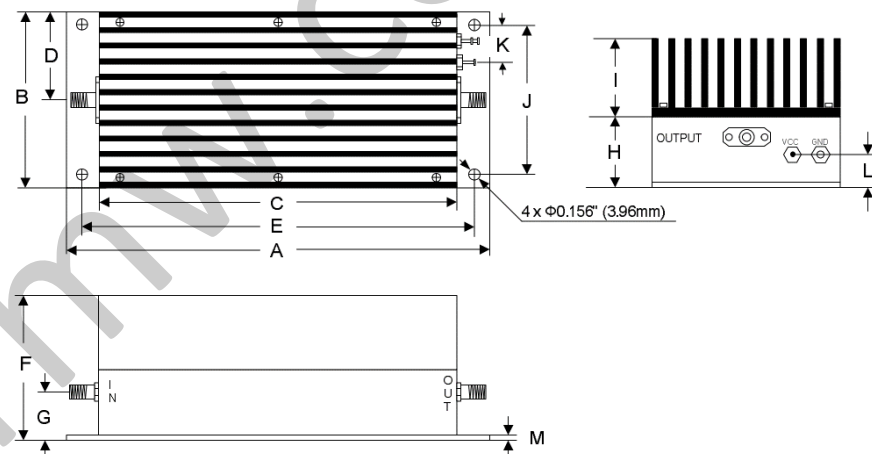
—机械技术参数 Mechanical Specifications—

输入连接器 Input Interface: SMA-F

输出连接器 Output Interface: SMA-F

尺寸 Size (excluding connectors): /

重量 Weight: /



| | A | B | C | D | E | F | G | H | I |
|------|--------|-------|--------|-------|--------|-------|-------|-------|-------|
| Inch | 7.000 | 3.250 | 6.000 | 1.625 | 6.500 | 2.000 | 0.650 | 1.000 | 1.000 |
| mm | 177.80 | 82.55 | 152.40 | 41.28 | 165.10 | 50.80 | 16.51 | 25.40 | 25.40 |
| | J | K | L | M | | | | | |
| Inch | 2.750 | 0.625 | 0.450 | 0.090 | | | | | |
| mm | 69.85 | 15.88 | 11.43 | 2.29 | | | | | |

| | | | | | |
|--|--|------|-------------------------------------|---|----------|
| UNLESS OTHERWISE SPECIFIED DIMENSIONS ARE MILLIMETER TOLERANCES ARE: DECIMALS ANGLES FRACTIONS .XX±0.03 ±1' ±2/5 .XXX±0.012 | | | www.lairmw.com sales@lairmw.com | P/N: LAP-5121 | |
| | Approvals | DATE | | 750 - 950MHz 功率放大器Power Amplifier 增益 Gain 40dB | |
| HOLE DIAMETER .35 TO 3.20 3.21 TO 6.35 6.36 TO 12.70 12.71 TO 19.05 19.06 TO 25.40 25.41 TO 50.80 | TOLERANCES +.05/- .02 +.10/- .03 +.15/- .03 +.20/- .03 +.25/- .03 +.30/- .03 | DRWN | | SIZE A3 | CAGE NO |
| | | ENG | | SCALE 3:2 | DWG NO. |
| | | CHK | | UNIT mm | REV 1 |
| | | Q.A. | | SHEET 1 OF 1 | |