

NOTES:UNLESS OTHERWISE SPECIFIED
THIS IS A CAD GENERATED DRAWING,DO NOT REVISE MANUALLY

REVISION HISTORY					
ZONE	REV	DESCRIPTION	E.C.O.NO	DATE	APPROVED
	1	ENGINEERING RELEASE			

LAP-5120

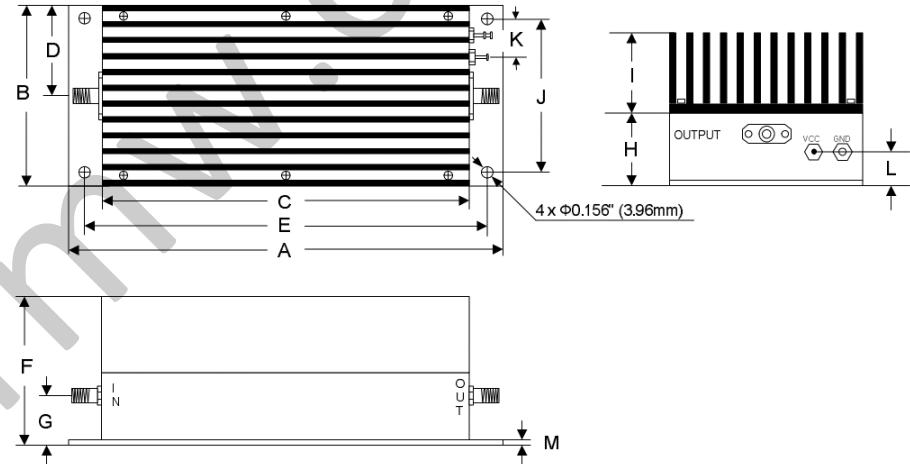
760 – 880 MHz 16-20W 功率放大器 Power Amplifier

—电气技术参数 Electrical Specifications—

频率范围 Frequency Range:	760 – 880 MHz
增益 Gain:	39.5dB
输出 P _{3dB} Output P _{3dB} :	>+42.5dBm
输出功率三阶截断点 OIP3:	/
输入驻波比 Input VSWR:	2.0:1
输出驻波比 Output VSWR:	2.3:1
直流偏置电压 DC Supply Voltage:	+12V
直流偏置电流 DC Supply Current:	3200mA
工作温度 Operation Temperature:	-30 ~ +65°C
存储温度 Storage Temperature:	-55 ~ +100°C

—机械技术参数 Mechanical Specifications—

输入连接器 Input Interface:	SMA-F
输出连接器 Output Interface:	SMA-F
尺寸 Size (excluding connectors):	/
重量 Weight:	/



	A	B	C	D	E	F	G	H	I
Inch	7.000	3.250	6.000	1.625	6.500	2.000	0.650	1.000	1.000
mm	177.80	82.55	152.40	41.28	165.10	50.80	16.51	25.40	25.40
	J	K	L	M					
Inch	2.750	0.625	0.450	0.090					
mm	69.85	15.88	11.43	2.29					

UNLESS OTHERWISE SPECIFIED DIMENSIONS ARE MILLIMETER TOLERANCES ARE: DECIMALS ANGLES FRACTIONS .XX±0.03 ±1' ±2/5 .XXX±0.012				P/N: LAP-5120	
		www.lairmw.com sales@lairmw.com			
		760 - 880MHz 功率放大器 Power Amplifier 增益 Gain 39.5dB			
		SIZE	CAGE NO	DWG NO.	REV
		A3			1
		SCALE	UNIT	SHEET 1 OF 1	
		3:2	mm		
HOLE DIAMETER .35 TO 3.20 3.21 TO 6.35 6.36 TO 12.70 12.71 TO 19.05 19.06 TO 25.40 25.41 TO 50.80		TOLERANCES +.05/-02 +.10/-03 +.15/-03 +.20/-03 +.25/-03 +.30/-03		Approvals DRWN ENG CHK Q.A.	DATE DATE