

NOTES:UNLESS OTHERWISE SPECIFIED
THIS IS A CAD GENERATED DRAWING,DO NOT REVISE MANUALLY

REVISION HISTORY					
ZONE	REV	DESCRIPTION	E.C.O.NO	DATE	APPROVED
	1	ENGINEERING RELEASE			

LAP-5117

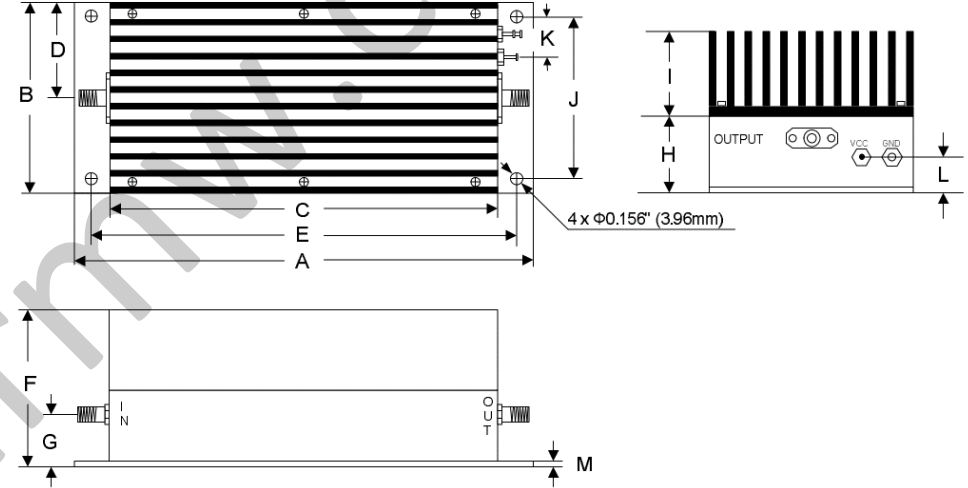
30 – 512 MHz 10W 功率放大器 Power Amplifier

—电气技术参数 Electrical Specifications—

频率范围 Frequency Range:	30 – 512 MHz
增益 Gain:	30dB
输出 P _{1dB} Output P _{1dB} :	/
输出功率三阶截断点 OIP3:	/
输入驻波比 Input VSWR:	1.1:1
输出驻波比 Output VSWR:	/
直流偏置电压 DC Supply Voltage:	+28V
直流偏置电流 DC Supply Current:	1000mA
工作温度 Operation Temperature:	-30 ~ +65°C
存储温度 Storage Temperature:	-55 ~ +125°C

—机械技术参数 Mechanical Specifications—

输入连接器 Input Interface:	SMA-F
输出连接器 Output Interface:	SMA-F
尺寸 Size (excluding connectors):	/
重量 Weight:	/



	A	B	C	D	E	F	G	H	I
Inch	7.000	3.250	6.000	1.625	6.500	2.000	0.650	1.000	1.000
mm	177.80	82.55	152.40	41.28	165.10	50.80	16.51	25.40	25.40
	J	K	L	M					
Inch	2.750	0.625	0.450	0.090					
mm	69.85	15.88	11.43	2.29					

UNLESS OTHERWISE SPECIFIED DIMENSIONS ARE MILLIMETER TOLERANCES ARE: DECIMALS ANGLES FRACTIONS .XX±0.03 ±1' ±2/5 .XXX±0.012					P/N: LAP-5117		
							Approvals
HOLE DIAMETER .35 TO 3.20 3.21 TO 6.35 6.36 TO 12.70 12.71 TO 19.05 19.06 TO 25.40 25.41 TO 50.80	TOLERANCES +.05/-02 +.10/-03 +.15/-03 +.20/-03 +.25/-03 +.30/-03	DRWN	30 - 512MHz 功率放大器 Power Amplifier 增益 Gain 30dB				
		ENG					
		CHK					
Q.A.		SIZE	A3	CAGE NO	DWG NO.	REV	1
		SCALE	3:2	UNIT	mm	SHEET 1 OF 1	