

NOTES:UNLESS OTHERWISE SPECIFIED
THIS IS A CAD GENERATED DRAWING,DO NOT REVISE MANUALLY

| REVISION HISTORY | | | | | |
|------------------|-----|---------------------|----------|------|----------|
| ZONE | REV | DESCRIPTION | E.C.O.NO | DATE | APPROVED |
| | 1 | ENGINEERING RELEASE | | | |

LAP-5115

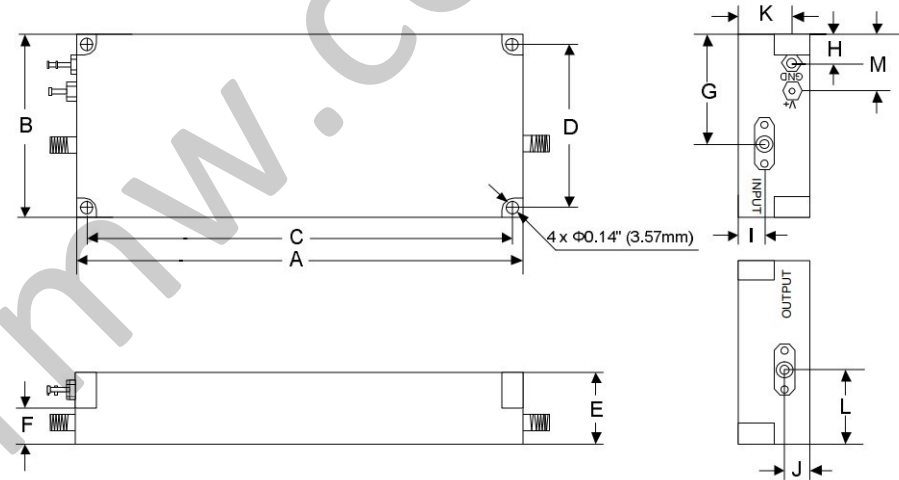
2 - 12 GHz 4W 功率放大器 Power Amplifier

—电气技术参数 Electrical Specifications—

| | |
|---|--------------|
| 频率范围 Frequency Range: | 2 - 12 GHz |
| 增益 Gain: | 40dB |
| 输出 P _{1dB} Output P _{1dB} : | +37dBm |
| 输出功率三阶截断点 OIP3: | / |
| 输入驻波比 Input VSWR: | 1.5:1 |
| 输出驻波比 Output VSWR: | 1.5:1 |
| 直流偏置电压 DC Supply Voltage: | +28V |
| 直流偏置电流 DC Supply Current: | 1800mA |
| 工作温度 Operation Temperature: | -40 ~ +85°C |
| 存储温度 Storage Temperature: | -55 ~ +125°C |

—机械技术参数 Mechanical Specifications—

| | |
|---------------------------------|-------|
| 输入连接器 Input Interface: | SMA-F |
| 输出连接器 Output Interface: | SMA-F |
| 尺寸 Size (excluding connectors): | / |
| 重量 Weight: | / |



Mounting screws recommended to use hex socket head cap #6x3/4"

| | A | B | C | D | E | F | G | H | I |
|------|--------|-------|--------|-------|-------|-------|-------|------|------|
| Inch | 6.40 | 2.50 | 6.05 | 2.17 | 1.05 | 0.54 | 1.40 | 0.30 | 0.30 |
| mm | 162.56 | 63.50 | 153.67 | 55.12 | 26.67 | 13.72 | 35.56 | 7.62 | 7.62 |
| | J | K | L | M | | | | | |
| Inch | 0.30 | 0.75 | 1.10 | 0.70 | | | | | |
| mm | 7.62 | 19.05 | 27.94 | 17.78 | | | | | |

| | | | | | | | | | | | | | | | | | | | |
|---|---------------|---------------------------------|-------------|---------------|--------------|-----------|---------------|-----------|----------------|-----------|----------------|-----------|----------------|-----------|-----------|------|---|--|--|
| UNLESS OTHERWISE SPECIFIED DIMENSIONS ARE MILLIMETER TOLERANCES ARE: DECIMALS ANGLES FRACTIONS .XX±0.03 ±1' ±2/5 .XXX±0.012 | | | | P/N: LAP-5115 | | | | | | | | | | | | | | | |
| | | www.lairmw.com sales@lairmw.com | | | | | | | | | | | | | | | | | |
| <table border="1"> <tr> <td>HOLE DIAMETER</td> <td>TOLERANCES</td> </tr> <tr> <td>.35 TO 3.20</td> <td>+0.05/-02</td> </tr> <tr> <td>3.21 TO 6.35</td> <td>+0.10/-03</td> </tr> <tr> <td>6.36 TO 12.70</td> <td>+0.15/-03</td> </tr> <tr> <td>12.71 TO 19.05</td> <td>+0.20/-03</td> </tr> <tr> <td>19.06 TO 25.40</td> <td>+0.25/-03</td> </tr> <tr> <td>25.41 TO 50.80</td> <td>+0.30/-03</td> </tr> </table> | HOLE DIAMETER | TOLERANCES | .35 TO 3.20 | +0.05/-02 | 3.21 TO 6.35 | +0.10/-03 | 6.36 TO 12.70 | +0.15/-03 | 12.71 TO 19.05 | +0.20/-03 | 19.06 TO 25.40 | +0.25/-03 | 25.41 TO 50.80 | +0.30/-03 | Approvals | DATE | 2 - 12GHz 功率放大器 Power Amplifier 增益 Gain 40dB | | |
| | HOLE DIAMETER | TOLERANCES | | | | | | | | | | | | | | | | | |
| .35 TO 3.20 | +0.05/-02 | | | | | | | | | | | | | | | | | | |
| 3.21 TO 6.35 | +0.10/-03 | | | | | | | | | | | | | | | | | | |
| 6.36 TO 12.70 | +0.15/-03 | | | | | | | | | | | | | | | | | | |
| 12.71 TO 19.05 | +0.20/-03 | | | | | | | | | | | | | | | | | | |
| 19.06 TO 25.40 | +0.25/-03 | | | | | | | | | | | | | | | | | | |
| 25.41 TO 50.80 | +0.30/-03 | | | | | | | | | | | | | | | | | | |
| DRWN | | | SIZE | CAGE NO | DWG NO. | REV | | | | | | | | | | | | | |
| ENG | | | A3 | | | 1 | | | | | | | | | | | | | |
| CHK | | | SCALE | UNIT | SHEET 1 OF 1 | | | | | | | | | | | | | | |
| Q.A. | | | 3:2 | mm | | | | | | | | | | | | | | | |