

NOTES: UNLESS OTHERWISE SPECIFIED
THIS IS A CAD GENERATED DRAWING, DO NOT REVISE MANUALLY

REVISION HISTORY					
ZONE	REV	DESCRIPTION	E.C.O.NO	DATE	APPROVED
	1	ENGINEERING RELEASE			

LAP-5114

2 - 6 GHz 20W 功率放大器 Power Amplifier

—电气技术参数 Electrical Specifications—

频率范围 Frequency Range: 2 - 6 GHz

增益 Gain: 55dB

输出 P_{1dB} Output P_{1dB}: +43dBm

输出功率三阶截断点 OIP3: /

输入驻波比 Input VSWR: 1.3:1

输出驻波比 Output VSWR: 1.7:1

直流偏置电压 DC Supply Voltage: +28V

直流偏置电流 DC Supply Current: 3500mA

工作温度 Operation Temperature: -20 ~ +65°C

存储温度 Storage Temperature: -55 ~ +125°C

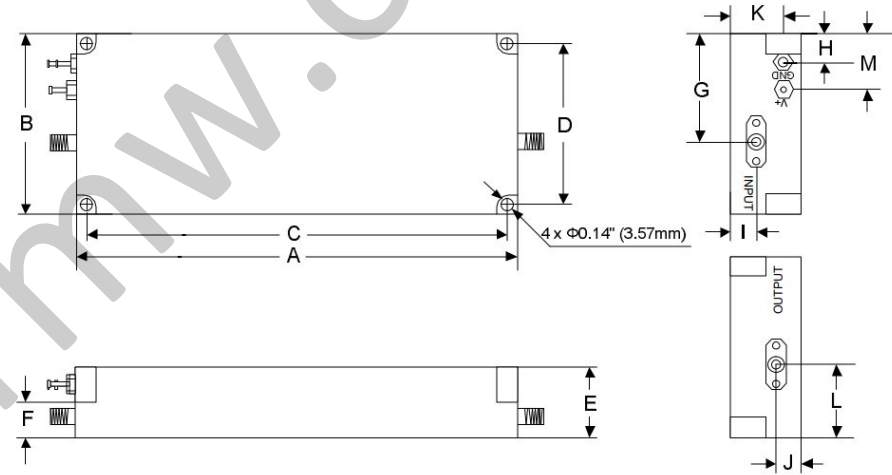
—机械技术参数 Mechanical Specifications—

输入连接器 Input Interface: SMA-F

输出连接器 Output Interface: SMA-F

尺寸 Size (excluding connectors): /

重量 Weight: /



Mounting screws recommended to use hex socket head cap #6x3/4"

	A	B	C	D	E	F	G	H	I
Inch	6.40	2.50	6.05	2.17	1.05	0.54	1.40	0.30	0.30
mm	162.56	63.50	153.67	55.12	26.67	13.72	35.56	7.62	7.62
	J	K	L	M					
Inch	0.30	0.75	1.10	0.70					
mm	7.62	19.05	27.94	17.78					

UNLESS OTHERWISE SPECIFIED DIMENSIONS ARE MILLIMETER TOLERANCES ARE: DECIMALS ANGLES FRACTIONS .XX±0.03 ±1' ±2/5 .XXX±0.012					P/N: LAP-5114	
	Approvals DATE		www.lairmw.com sales@lairmw.com		2 - 6GHz 功率放大器 Power Amplifier 增益 Gain 55dB	
HOLE DIAMETER .35 TO 3.20 3.21 TO 6.35 6.36 TO 12.70 12.71 TO 19.05 19.06 TO 25.40 25.41 TO 50.80	TOLERANCES +.05/-02 +.10/-03 +.15/-03 +.20/-03 +.25/-03 +.30/-03	DRWN ENG CHK Q.A.	DATE	SIZE A3 SCALE 3:2	CAGE NO UNIT mm	DWG NO. SHEET 1 OF 1
				REV 1		