

NOTES:UNLESS OTHERWISE SPECIFIED
THIS IS A CAD GENERATED DRAWING,DO NOT REVISE MANUALLY

REVISION HISTORY					
ZONE	REV	DESCRIPTION	E.C.O.NO	DATE	APPROVED
	1	ENGINEERING RELEASE			

LAP-5113

20 – 6000 MHz 5W 功率放大器 Power Amplifier

—电气技术参数 Electrical Specifications—

频率范围 Frequency Range: 20 – 6000 MHz

增益 Gain: 50dB

输出 P_{1dB} Output P_{1dB}: /

输出功率三阶截断点 OIP3: /

输入驻波比 Input VSWR: 1.5:1

输出驻波比 Output VSWR: 1.7:1

直流偏置电压 DC Supply Voltage: +28V

直流偏置电流 DC Supply Current: 3000mA

RF 控制逻辑 RF Control ON/OFF: +5/0V

工作温度 Operation Temperature: -40 ~ +85°C

存储温度 Storage Temperature: -55 ~ +125 °C

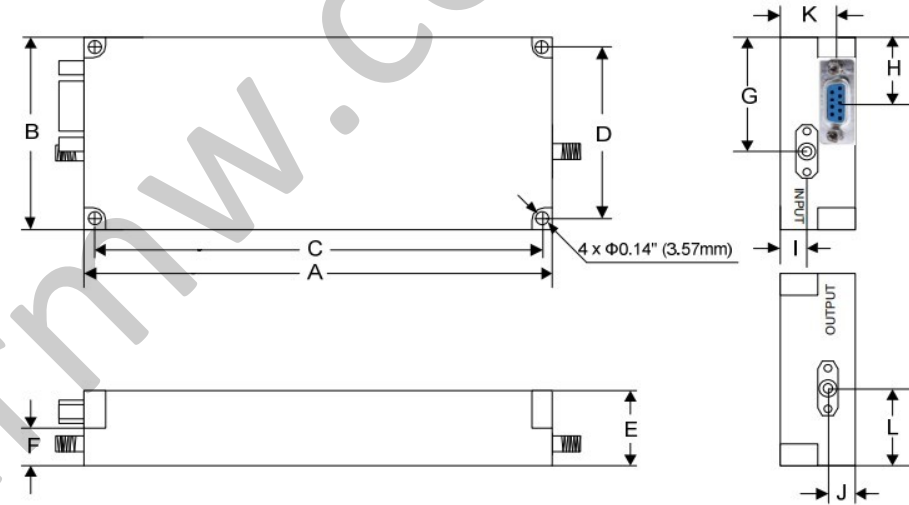
—机械技术参数 Mechanical Specifications—

输入连接器 Input Interface: SMA-F

输出连接器 Output Interface: SMA-F

尺寸 Size (excluding connectors): /

重量 Weight: /



Mounting screws recommended to use hex socket head cap #6x3/4"

	A	B	C	D	E	F	G	H	I
Inch	6.40	2.50	6.05	2.17	1.05	0.54	1.40	0.92	0.30
mm	162.56	63.50	153.67	55.12	26.67	13.72	35.56	23.37	7.62
	J	K	L						
Inch	0.30	0.75	1.10						
mm	7.62	19.05	27.94						

UNLESS OTHERWISE SPECIFIED DIMENSIONS ARE MILLIMETER TOLERANCES ARE: DECIMALS ANGLES FRACTIONS .XX±0.03 ±1' ±2/5 .XXX±0.012			 www.lairmw.com sales@lairmw.com	P/N: LAP-5113	
	Approvals	DATE		20 - 6000MHz 功率放大器 Power Amplifier 增益 Gain 50dB	
HOLE DIAMETER .35 TO 3.20 3.21 TO 6.35 6.36 TO 12.70 12.71 TO 19.05 19.06 TO 25.40 25.41 TO 50.80	TOLERANCES +.05/- .02 +.10/- .03 +.15/- .03 +.20/- .03 +.25/- .03 +.30/- .03	DRWN			
		ENG	SIZE	CAGE NO	DWG NO.
		CHK	A3		
		Q.A.	SCALE	UNIT	SHEET 1 OF 1
			3:2	mm	REV 1