

NOTES:UNLESSOTHERWISE SPECIFIED
THIS IS A CAD GENERATED DRAWING,DO NOT REVISE MANUALLY

REVISION HISTORY					
ZONE	REV	DESCRIPTION	E.C.O.NO	DATE	APPROVED
	1	ENGINEERING RELEASE			

LAP-4057

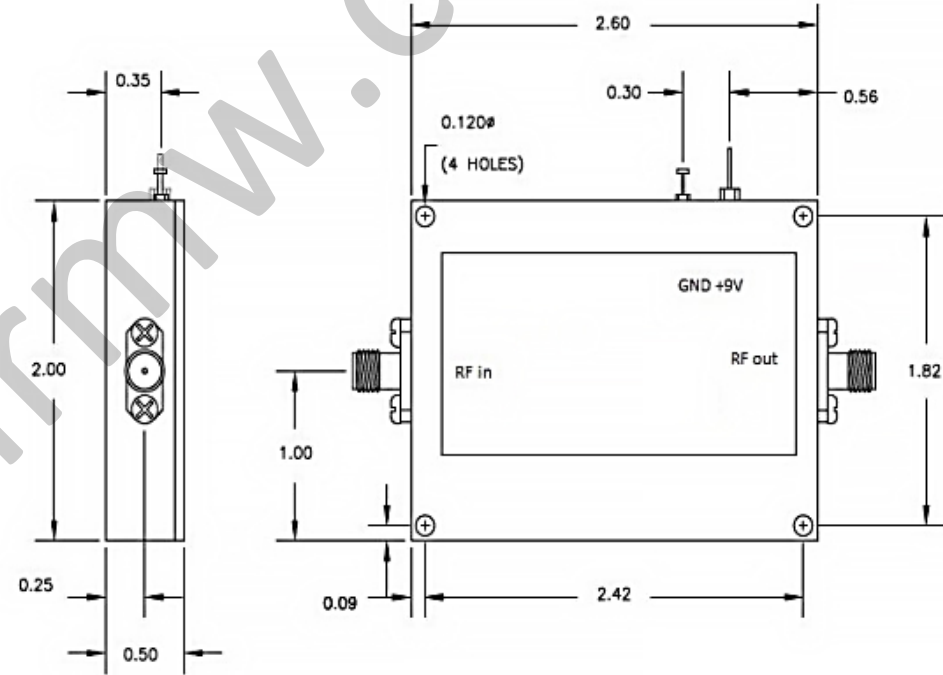
17.5 – 21.5 GHz 功率放大器 Power Amplifier

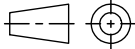


—电气技术参数 Electrical Specifications—

频率范围 Frequency Range:	17.5 – 21.5 GHz
增益 Gain:	40dB
输出 P _{1dB} Output P _{1dB} :	36dBm
输出功率三阶截断点 OIP3:	45dBm
输入驻波比 Input VSWR:	2.5:1
输出驻波比 Output VSWR:	2.5:1
直流偏置电压 DC Power Supply:	+9~+12V
直流偏置电流 DC Current Supply:	3500mA
工作温度 Operation Temperature:	-40 ~ +75°C
存储温度 Storage Temperature:	-55 ~ +125°C

—机械技术参数 Mechanical Specifications—

输入连接器 Input Interface:	SMA-F
输出连接器 Output Interface:	SMA-F
尺寸 Size (excluding connectors):	/
重量 Weight:	/



UNLESS OTHERWISE SPECIFIED DIMENSIONS ARE MILLIMETER TOLERANCES ARE: DECIMALS ANGLES FRACTIONS .XX±0.03 ±1' ±2/5 .XXX±0.012					P/N: LAP-4057															
			www.lairmw.com sales@lairmw.com		17.0 - 21.5GHz 功率放大器 Power Amplifier 增益 Gain 40dB															
<table border="1"> <thead> <tr> <th>HOLE DIAMETER</th> <th>TOLERANCES</th> </tr> </thead> <tbody> <tr> <td>.35 TO 3.20</td> <td>+.05/- .02</td> </tr> <tr> <td>3.21 TO 6.35</td> <td>+.10/- .03</td> </tr> <tr> <td>6.36 TO 12.70</td> <td>+.15/- .03</td> </tr> <tr> <td>12.71 TO 19.05</td> <td>+.20/- .03</td> </tr> <tr> <td>19.06 TO 25.40</td> <td>+.25/- .03</td> </tr> <tr> <td>25.41 TO 50.80</td> <td>+.30/- .03</td> </tr> </tbody> </table>	HOLE DIAMETER	TOLERANCES	.35 TO 3.20	+.05/- .02	3.21 TO 6.35	+.10/- .03	6.36 TO 12.70	+.15/- .03	12.71 TO 19.05	+.20/- .03	19.06 TO 25.40	+.25/- .03	25.41 TO 50.80	+.30/- .03	Approvals	DATE	SIZE	CAGE NO	DWG NO.	REV
	HOLE DIAMETER	TOLERANCES																		
.35 TO 3.20	+.05/- .02																			
3.21 TO 6.35	+.10/- .03																			
6.36 TO 12.70	+.15/- .03																			
12.71 TO 19.05	+.20/- .03																			
19.06 TO 25.40	+.25/- .03																			
25.41 TO 50.80	+.30/- .03																			
DRWN			A3			1														
ENG			SCALE	UNIT	SHEET 1 OF 1															
CHK			3:2	mm																
Q.A.																				