

NOTES:UNLESSOTHERWISE SPECIFIED
THIS IS A CAD GENERATED DRAWING,DO NOT REVISE MANUALLY

REVISION HISTORY					
ZONE	REV	DESCRIPTION	E.C.O.NO	DATE	APPROVED
	1	ENGINEERING RELEASE			

LAP-4051

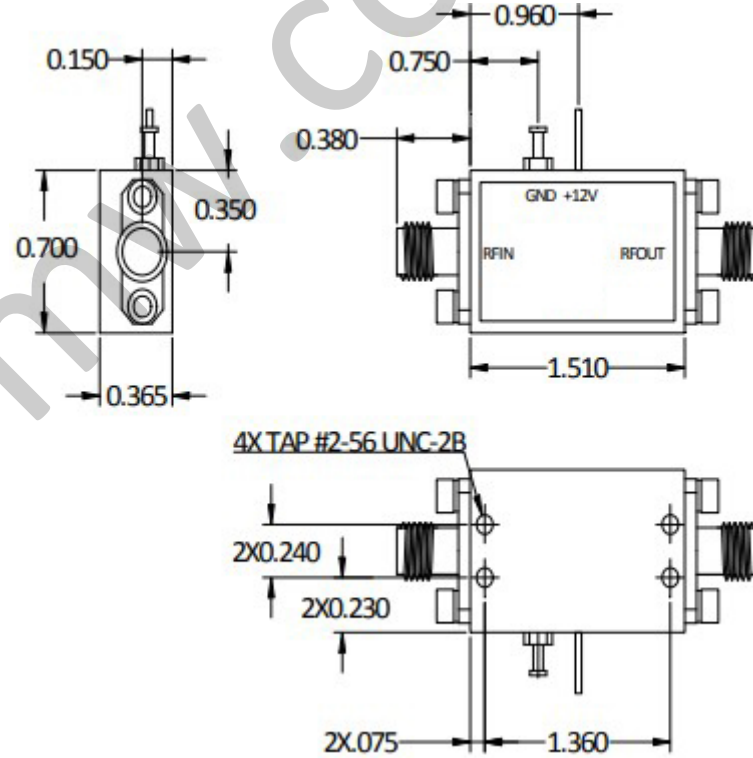
12.0 – 18.0 GHz 功率放大器 Power Amplifier

—电气技术参数 Electrical Specifications—

频率范围 Frequency Range:	12.0 – 18.0 GHz
增益 Gain:	25dB
输出 P _{1dB} Output P _{1dB} :	27dBm
输出功率三阶截断点 OIP3:	36dBm
输入驻波比 Input VSWR:	2.2:1
输出驻波比 Output VSWR:	2.2:1
直流偏置电压 DC Power Supply:	+9~+15V
直流偏置电流 DC Current Supply:	1200mA
工作温度 Operation Temperature:	-40 ~ +75°C
存储温度 Storage Temperature:	-55 ~ +125°C

—机械技术参数 Mechanical Specifications—

输入连接器 Input Interface:	SMA-F
输出连接器 Output Interface:	SMA-F
尺寸 Size (excluding connectors):	/
重量 Weight:	/



UNLESS OTHERWISE SPECIFIED DIMENSIONS ARE MILLIMETER TOLERANCES ARE: DECIMALS ANGLES FRACTIONS .XX±0.03 ±1' ±2/5 .XXX±0.012				莱尔微波 Laird Microwave www.lairmw.com sales@lairmw.com		P/N: LAP-4051																													
<table border="1"> <tr> <td>Approvals</td> <td>DATE</td> </tr> <tr> <td>DRWN</td> <td></td> </tr> <tr> <td>ENG</td> <td></td> </tr> <tr> <td>CHK</td> <td></td> </tr> <tr> <td>Q.A.</td> <td></td> </tr> </table>		Approvals	DATE	DRWN		ENG		CHK		Q.A.		<table border="1"> <tr> <td colspan="4">12.0 - 18.0GHz 功率放大器 Power Amplifier 增益 Gain 25dB</td> </tr> <tr> <td>SIZE</td> <td>CAGE NO</td> <td>DWG NO.</td> <td>REV</td> </tr> <tr> <td>A3</td> <td></td> <td></td> <td>1</td> </tr> <tr> <td>SCALE</td> <td>UNIT</td> <td colspan="2">SHEET 1 OF 1</td> </tr> <tr> <td>3:2</td> <td>mm</td> <td colspan="2"></td> </tr> </table>		12.0 - 18.0GHz 功率放大器 Power Amplifier 增益 Gain 25dB				SIZE	CAGE NO	DWG NO.	REV	A3			1	SCALE	UNIT	SHEET 1 OF 1		3:2	mm				
Approvals	DATE																																		
DRWN																																			
ENG																																			
CHK																																			
Q.A.																																			
12.0 - 18.0GHz 功率放大器 Power Amplifier 增益 Gain 25dB																																			
SIZE	CAGE NO	DWG NO.	REV																																
A3			1																																
SCALE	UNIT	SHEET 1 OF 1																																	
3:2	mm																																		