

NOTES:UNLESS OTHERWISE SPECIFIED  
THIS IS A CAD GENERATED DRAWING,DO NOT REVISE MANUALLY

REVISION HISTORY					
ZONE	REV	DESCRIPTION	E.C.O.NO	DATE	APPROVED
	1	ENGINEERING RELEASE			

## LAP-4044

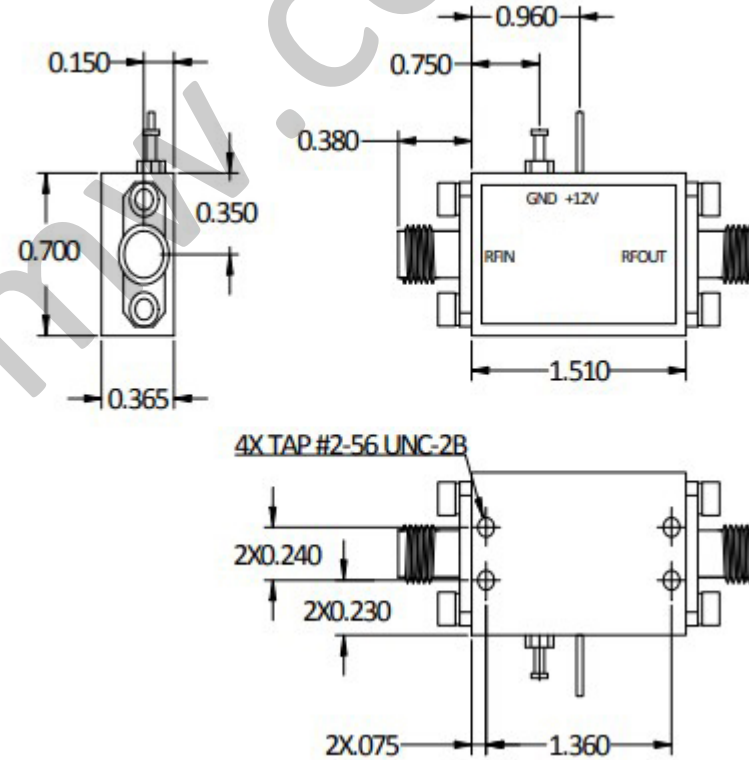
6.0 – 12.0 GHz 功率放大器 Power Amplifier

### —电气技术参数 Electrical Specifications—

频率范围 Frequency Range:	6.0 – 12.0 GHz
增益 Gain:	30dB
输出 P <sub>1dB</sub> Output P <sub>1dB</sub> :	30dBm
输出功率三阶截断点 OIP <sub>3</sub> :	39dBm
输入驻波比 Input VSWR:	2.2:1
输出驻波比 Output VSWR:	2.2:1
直流偏置电压 DC Power Supply:	+9~+15V
直流偏置电流 DC Current Supply:	1200mA
工作温度 Operation Temperature:	-40 ~ +75°C
存储温度 Storage Temperature:	-55 ~ +125°C

### —机械技术参数 Mechanical Specifications—

输入连接器 Input Interface:	SMA-F
输出连接器 Output Interface:	SMA-F
尺寸 Size (excluding connectors):	/
重量 Weight:	/



UNLESS OTHERWISE SPECIFIED DIMENSIONS ARE MILLIMETER TOLERANCES ARE: DECIMALS ANGLES FRACTIONS .XX±0.03 ±1' ±2/5 .XXX±0.012			 www.lairmw.com sales@lairmw.com	P/N: LAP-4044		
	Approvals	DATE		6.0 - 12.0GHz 功率放大器 Power Amplifier 增益 Gain 30dB		
HOLE DIAMETER .35 TO 3.20 3.21 TO 6.35 6.36 TO 12.70 12.71 TO 19.05 19.06 TO 25.40 25.41 TO 50.80	TOLERANCES +.05/- .02 +.10/- .03 +.15/- .03 +.20/- .03 +.25/- .03 +.30/- .03	DRWN	SIZE A3	CAGE NO	DWG NO.	REV 1
		ENG	SCALE 3:2	UNIT mm	SHEET 1 OF 1	
		CHK				
		Q.A.				