

NOTES:UNLESS OTHERWISE SPECIFIED
THIS IS A CAD GENERATED DRAWING,DO NOT REVISE MANUALLY

REVISION HISTORY					
ZONE	REV	DESCRIPTION	E.C.O.NO	DATE	APPROVED
	1	ENGINEERING RELEASE			

LAP-4034

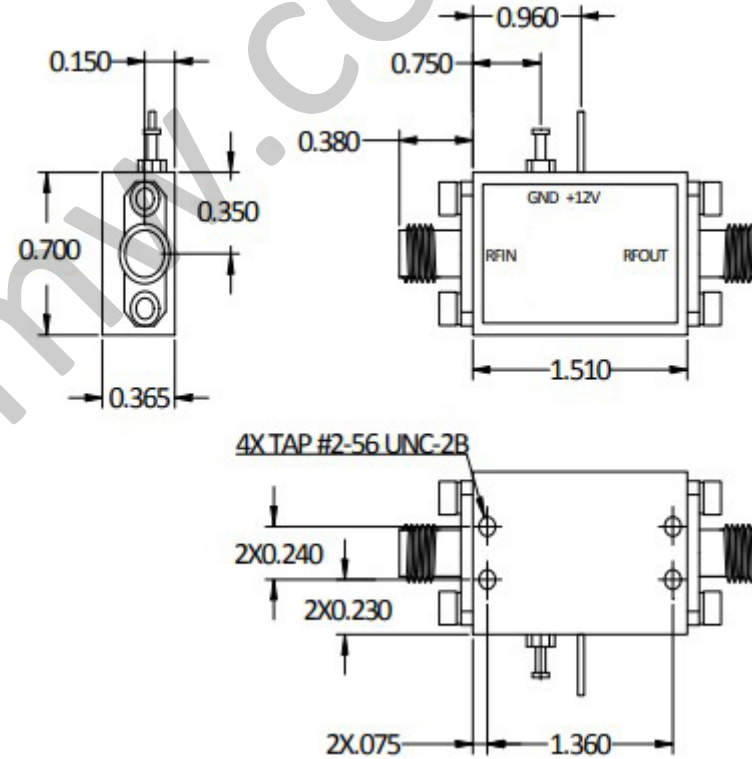
2.0 – 6.0 GHz 功率放大器 Power Amplifier

—电气技术参数 Electrical Specifications—

频率范围 Frequency Range:	2.0 – 6.0 GHz
增益 Gain:	35dB
输出 P _{1dB} Output P _{1dB} :	27dBm
输出功率三阶截断点 OIP3:	36dBm
输入驻波比 Input VSWR:	2.0:1
输出驻波比 Output VSWR:	2.0:1
直流偏置电压 DC Power Supply:	+9~+15V
直流偏置电流 DC Current Supply:	800mA
工作温度 Operation Temperature:	-40 ~ +75°C
存储温度 Storage Temperature:	-55 ~ +125°C

—机械技术参数 Mechanical Specifications—

输入连接器 Input Interface:	SMA-F
输出连接器 Output Interface:	SMA-F
尺寸 Size (excluding connectors):	/
重量 Weight:	/



UNLESS OTHERWISE SPECIFIED DIMENSIONS ARE MILLIMETER TOLERANCES ARE: DECIMALS ANGLES FRACTIONS .XX±0.03 ±1' ±2/5 .XXX±0.012					P/N: LAP-4034	
	Approvals	DATE	www.lairmw.com sales@lairmw.com			
DRWN		2.0 - 6.0GHz 功率放大器 Power Amplifier 增益 Gain 35dB				
ENG		SIZE	CAGE NO	DWG NO.	REV	
CHK		A3			1	
Q.A.		SCALE	UNIT	SHEET 1 OF 1		
		3:2	mm			