

NOTES:UNLESSOTHERWISE SPECIFIED
THIS IS A CAD GENERATED DRAWING,DO NOT REVISE MANUALLY

| REVISION HISTORY | | | | | |
|------------------|-----|---------------------|----------|------|----------|
| ZONE | REV | DESCRIPTION | E.C.O.NO | DATE | APPROVED |
| | 1 | ENGINEERING RELEASE | | | |

LAP-4033

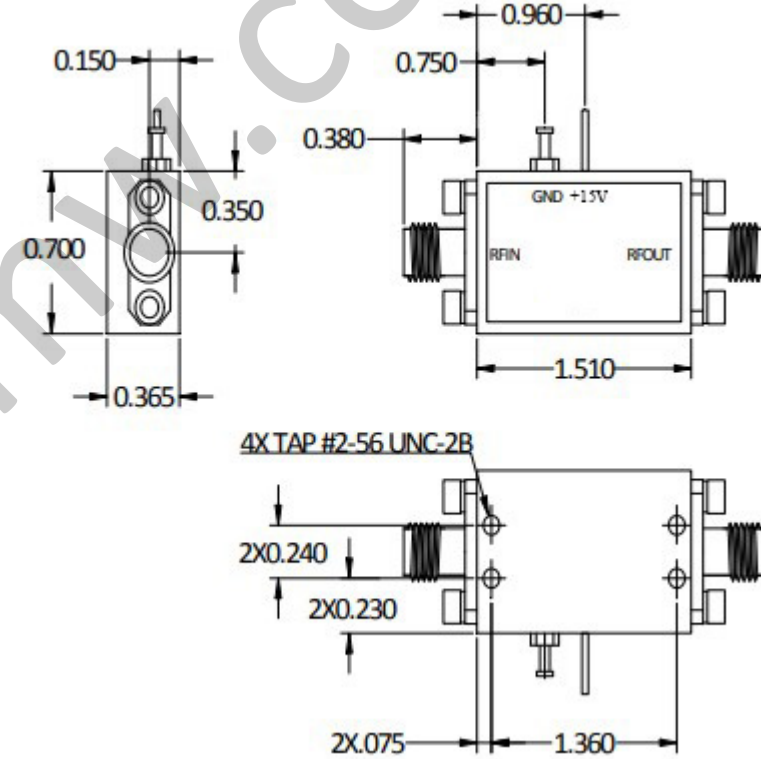
2.0 – 6.0 GHz 功率放大器 Power Amplifier

—电气技术参数 Electrical Specifications—

| | |
|---|---------------|
| 频率范围 Frequency Range: | 2.0 – 6.0 GHz |
| 增益 Gain: | 30dB |
| 输出 P _{1dB} Output P _{1dB} : | 30dBm |
| 输出功率三阶截断点 OIP3: | 39dBm |
| 输入驻波比 Input VSWR: | 2.0:1 |
| 输出驻波比 Output VSWR: | 2.0:1 |
| 直流偏置电压 DC Power Supply: | +15V |
| 直流偏置电流 DC Current Supply: | 1500mA |
| 工作温度 Operation Temperature: | -40 ~ +75°C |
| 存储温度 Storage Temperature: | -55 ~ +125°C |

—机械技术参数 Mechanical Specifications—

| | |
|---------------------------------|-------|
| 输入连接器 Input Interface: | SMA-F |
| 输出连接器 Output Interface: | SMA-F |
| 尺寸 Size (excluding connectors): | / |
| 重量 Weight: | / |



| | | | | | | | |
|--|---|--|-----------|------------|--|--|----------|
| UNLESS OTHERWISE SPECIFIED DIMENSIONS ARE MILLIMETER TOLERANCES ARE: DECIMALS ANGLES FRACTIONS .XX±0.03 ±1' ±2/5 .XXX±0.012 | | | | | 莱尔微波 Laird Microwave www.lairmw.com sales@lairmw.com | P/N: LAP-4033 | |
| | HOLE DIAMETER .35 TO 3.20 3.21 TO 6.35 6.36 TO 12.70 12.71 TO 19.05 19.06 TO 25.40 25.41 TO 50.80 | TOLERANCES +.05/-02 +.10/-03 +.15/-03 +.20/-03 +.25/-03 +.30/-03 | Approvals | DATE | | 2.0 - 6.0GHz 功率放大器 Power Amplifier 增益 Gain 30dB | |
| DRWN | ENG | CHK | Q.A. | SIZE A3 | CAGE NO | DWG NO. | REV 1 |
| SCALE 3:2 | | | | UNIT mm | SHEET 1 OF 1 | | |