

NOTES:UNLESS OTHERWISE SPECIFIED  
THIS IS A CAD GENERATED DRAWING,DO NOT REVISE MANUALLY

REVISION HISTORY					
ZONE	REV	DESCRIPTION	E.C.O.NO	DATE	APPROVED
	1	ENGINEERING RELEASE			

## LAP-4008

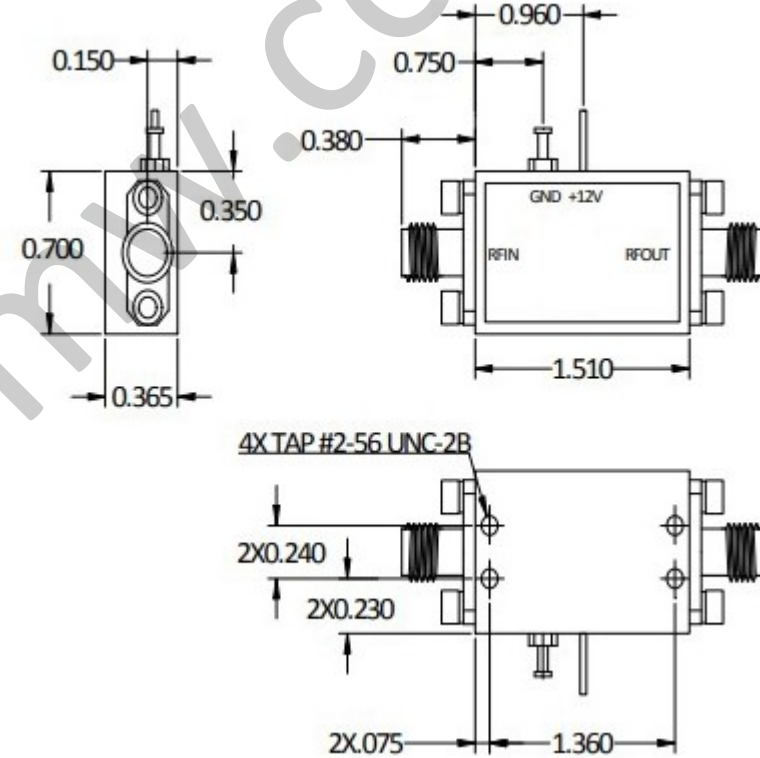
6.0 – 18.0 GHz 功率放大器 Power Amplifier

### —电气技术参数 Electrical Specifications—

频率范围 Frequency Range:	6.0 – 18.0 GHz
增益 Gain:	40dB
输出 P <sub>1dB</sub> Output P <sub>1dB</sub> :	24dBm
输出功率三阶截断点 OIP3:	33dBm
输入驻波比 Input VSWR:	2.2:1
输出驻波比 Output VSWR:	2.2:1
直流偏置电压 DC Power Supply:	+9 ~ +15V
直流偏置电流 DC Current Supply:	460mA
工作温度 Operation Temperature:	-40 ~ +75°C
存储温度 Storage Temperature:	-55 ~ +125°C

### —机械技术参数 Mechanical Specifications—

输入连接器 Input Interface:	SMA-F
输出连接器 Output Interface:	SMA-F
尺寸 Size (excluding connectors):	/
重量 Weight:	/



UNLESS OTHERWISE SPECIFIED DIMENSIONS ARE MILLIMETER TOLERANCES ARE: DECIMALS ANGLES FRACTIONS .XX±0.03 ±1' ±2/5 .XXX±0.012				莱尔微波 Laird Microwave www.lairmw.com sales@lairmw.com		P/N: LAP-4008																			
<table border="1"> <tr> <td>DRWN</td> <td>DATE</td> </tr> <tr> <td>ENG</td> <td></td> </tr> <tr> <td>CHK</td> <td></td> </tr> <tr> <td>Q.A.</td> <td></td> </tr> </table>		DRWN	DATE	ENG		CHK		Q.A.		<table border="1"> <tr> <td colspan="2">6.0 - 18.0GHz 功率放大器 Power Amplifier 增益 Gain 40dB</td> </tr> <tr> <td>SIZE A3</td> <td>CAGE NO</td> </tr> <tr> <td>SCALE 3:2</td> <td>UNIT mm</td> </tr> </table>		6.0 - 18.0GHz 功率放大器 Power Amplifier 增益 Gain 40dB		SIZE A3	CAGE NO	SCALE 3:2	UNIT mm	<table border="1"> <tr> <td colspan="2">DWG NO.</td> <td>REV 1</td> </tr> <tr> <td colspan="3">SHEET 1 OF 1</td> </tr> </table>		DWG NO.		REV 1	SHEET 1 OF 1		
DRWN	DATE																								
ENG																									
CHK																									
Q.A.																									
6.0 - 18.0GHz 功率放大器 Power Amplifier 增益 Gain 40dB																									
SIZE A3	CAGE NO																								
SCALE 3:2	UNIT mm																								
DWG NO.		REV 1																							
SHEET 1 OF 1																									