

NOTES:UNLESS OTHERWISE SPECIFIED
THIS IS A CAD GENERATED DRAWING,DO NOT REVISE MANUALLY

REVISION HISTORY					
ZONE	REV	DESCRIPTION	E.C.O.NO	DATE	APPROVED
	1	ENGINEERING RELEASE			

LAP-2042

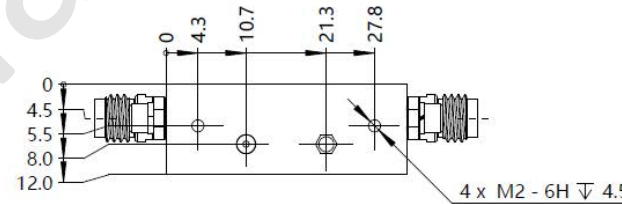
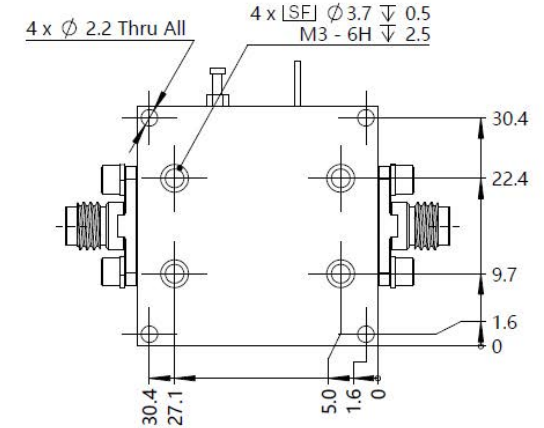
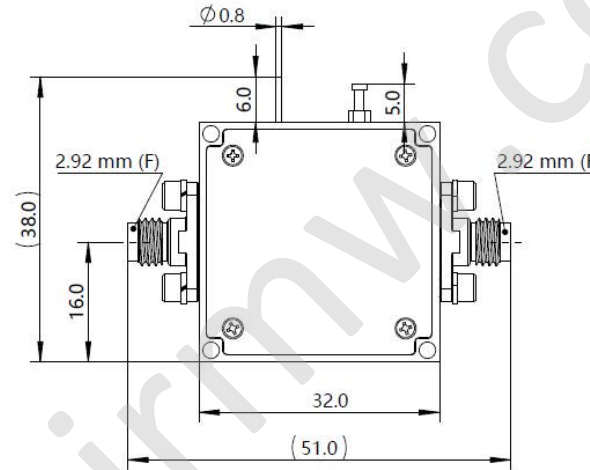
24 – 25 GHz 功率放大器 Power Amplifier

—电气技术参数 Electrical Specifications—

频率范围 Frequency Range:	24 – 25 GHz
增益 Gain:	30dB(Typ.), 28dB(Min)
输出 P_{1dB} Output P_{1dB} :	30dBm(Typ.), 28dBm(Min.)
饱和输出功率 P_{sat} :	31dBm(Typ.), 29dBm(Min)
输入驻波比 Input VSWR:	1.58:1 (Typ.)
输出驻波比 Output VSWR:	1.58:1 (Typ.)
直流偏置电压 DC Power Supply:	+8 ~ +12V
直流偏置电流 DC Current Supply:	850mA (Typ)
工作温度 Operation Temperature:	-40 ~ +70°C
存储温度 Storage Temperature:	-55 ~ +125 °C

—机械技术参数 Mechanical Specifications—

输入连接器 Input Interface:	2.92mm-F
输出连接器 Output Interface:	2.92mm-F
尺寸 Size (excluding connectors):	32x32x12mm
重量 Weight:	27g



UNLESS OTHERWISE SPECIFIED DIMENSIONS ARE MILLIMETER TOLERANCES ARE: DECIMALS ANGLES FRACTIONS .XX±0.03 ±1' ±2/5 .XXX±0.012					P/N: LAP-2042		
	Approvals: _____ DATE: _____		www.lairmw.com sales@lairmw.com				
HOLE DIAMETER .35 TO 3.20 3.21 TO 6.35 6.36 TO 12.70 12.71 TO 19.05 19.06 TO 25.40 25.41 TO 50.80			TOLERANCES +.05/- .02 +.10/- .03 +.15/- .03 +.20/- .03 +.25/- .03 +.30/- .03			24-25GHz 功率放大器 Power Amplifier 增益 Gain 30dB	
DRWN: QY ENG: CYL CHK: WY		SIZE A3 SCALE 3:2		CAGE NO UNIT mm		DWG NO. SHEET 1 OF 1	
						REV 1	